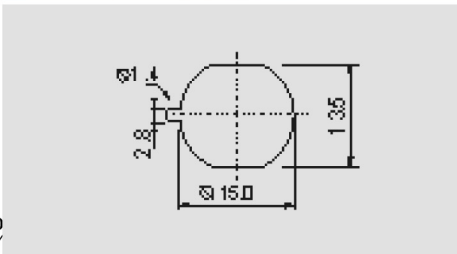
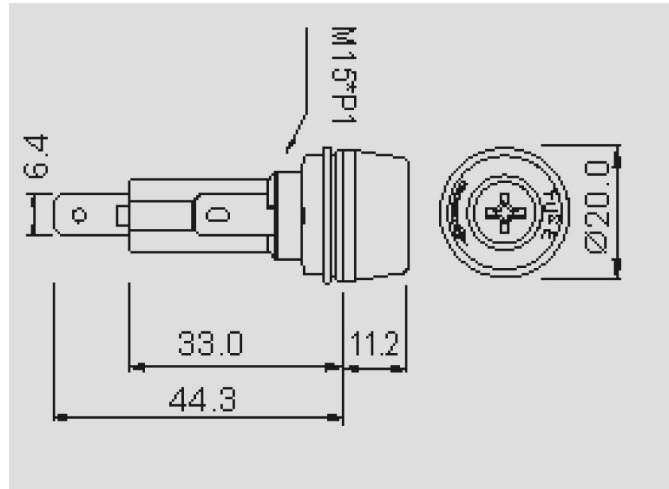


Order code	Manufacturer code	Description
26-1581	R3-53 BLACK	32MM CHASSIS MNT FUSEHOLDER 15A 250V(RC)

	Page 1 of 2
The enclosed information is believed to be correct, Information may change without notice due to product improvement. Users should ensure that the product is suitable for their use. E. & O. E.	Revision A 20/02/2007



15A 250V AC
0.5 ~3.0mm
(6.4mm)0.25" SQ

FEATURES:

- Material:
Frame and cap: phenolic(UL flame: 94V-1).
Terminal : nickel plated brass.
- Mounted by nut.

R3-53

CAP	FUSE
Screw type	\varnothing 6.4*30
	\varnothing 6.35*31.8