



In-line Automotive Fuseholder 30A 32V DC

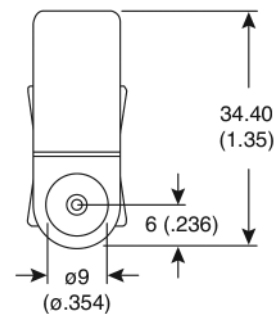
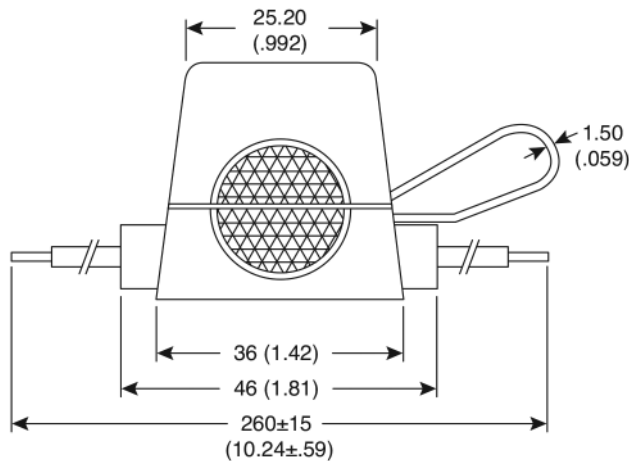
Order code: **26-1587**

Specifications



Rating:	12-24 VDC
Contact Resistance:	50m Ω max.
Insulation Resistance:	500VDC 100M Ω min.
Dielectric Strength:	1500 VAC, 1 minute
Body:	PVC
RoHS Compliant	

Type	Wire	Rating	Wire Colour
441-R347A-GR	12AWG	30A 32 VDC	Red
441-R347B-GR	14AWG	20A 32 VDC	Red
441-R347C-GR	16AWG	15A 32 VDC	Red
441-R347D-GR	18AWG	10A 32 VDC	Red



Dimensions: mm (in)