

SPECIFICATION FOR APPROVAL



CUSTOMER : _____

CUSTOMER P/N : _____

SME P/N : _____ SF-50

EDITION : _____ A.0

DATE : _____ 2012-7-24

DRAWING		
MADE	CHECK	APPROVAL
Lee Jin	Jim	Lucy

CUSTOMER APPROVE

SHANGHAI MEISONGBEI ELECTRONICS CO.,LTD

Add: No.139, Lane 4501, South Yanggao Rd, PuDong New District, Shanghai

Tel:+86-21-62883517 Fax:+86-21-62883519

Http://www.meisongbei.com

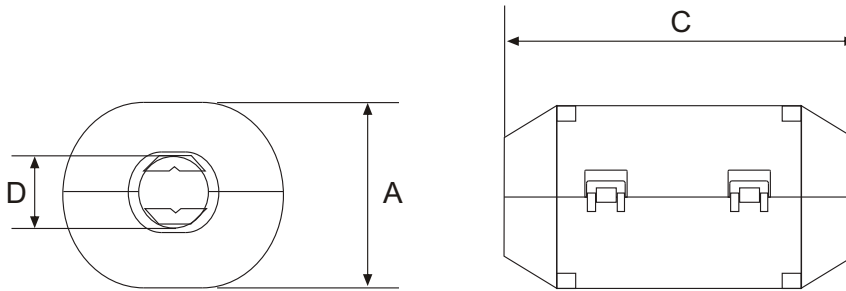
E-mail:meisongbei@globalsources.com

SPECIFICATION FOR APPROVAL

Customer:
 Customer P/N:
 SME P/N: SF-50
 Date: 2012-7-24



A Dimension:Unit(mm)



Part No.	A	B	C	D	E
SF-50	16 ± 1.0		29.5 ± 1.0	5.0 ± 1.0	

B Electrical Characteristics

Part No.	Test condition		Value	Unit	Tol.
Impedance @ 25MHz 0.5Ts	25MHz	Z	33	Ω	MIN.
Impedance @ 100MHz 0.5Ts	100MHz	Z	92	Ω	MIN.

C Test equipment:

1. Test equipment: HP-4191A
2. Test coil specification: Φ0.65x0.5Tsx100mm

D General Specifications:

1. Storage temp range: 0°C to +40°C
2. Operating temp range: -25°C to +105°C

Made	Lee Jin	Checked	Jim	Approved	Lucy
------	---------	---------	-----	----------	------

Shanghai Meisongbei Electronics Co.,ltd.

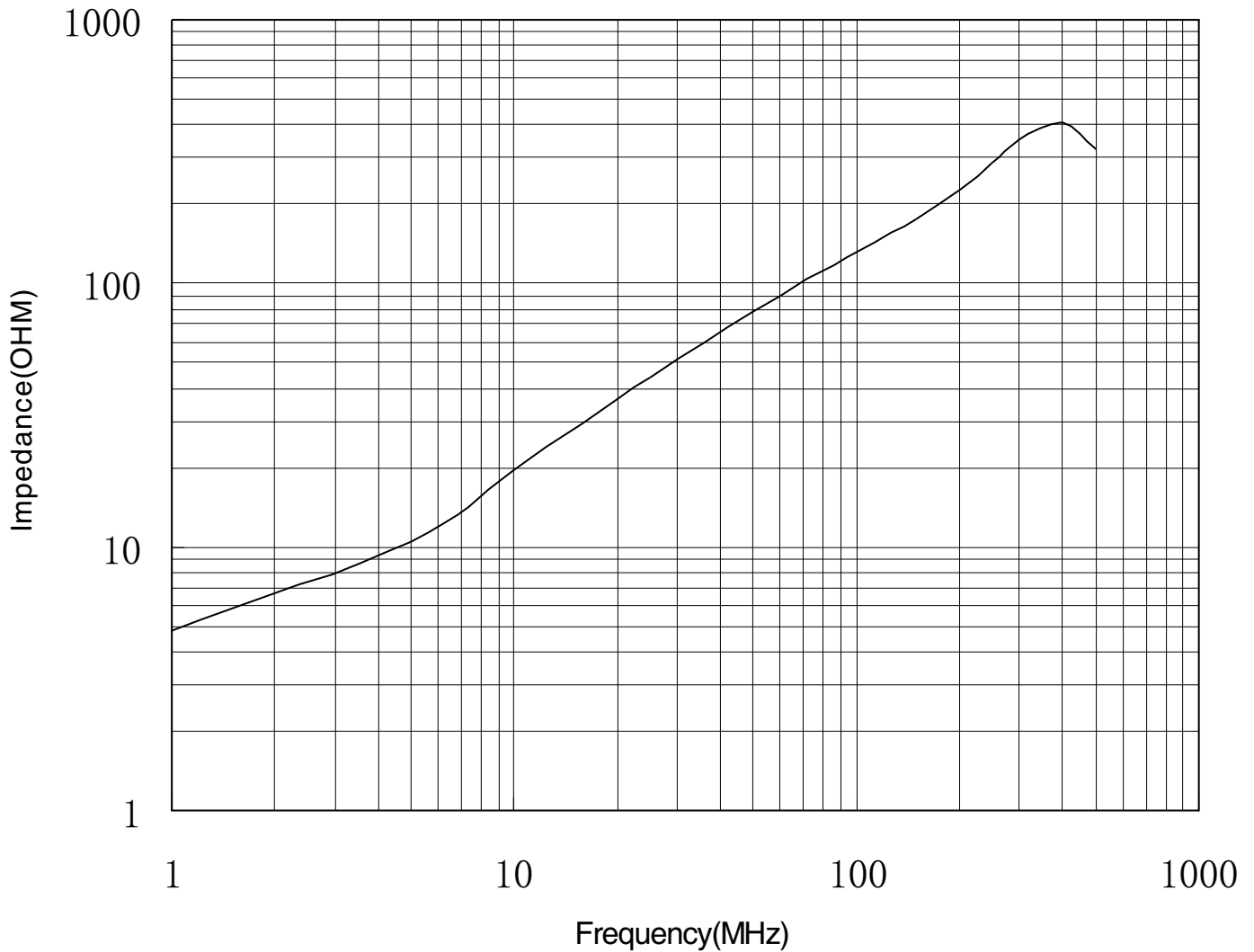
Add: No.139, Lane 4501, South Yanggao Rd, PuDong New District, Shanghai Tel:+86-21-62883517 Fax:+86-21-62883519
 Http://www.meisongbei.com

SPECIFICATION FOR APPROVAL

Customer:
Customer P/N:
SME P/N: SF-50
Date: 2012-7-24



E Typical Impedance Characteristics:



Made	Lee Jin	Checked	Jim	Approved	Lucy
------	---------	---------	-----	----------	------

Shanghai Meisongbei Electronics Co., Ltd.

Add: No.139, Lane 4501, South Yanggao Rd, PuDong New District, Shanghai Tel:+86-21-62883517 Fax:+86-21-62883519
Http://www.meisongbei.com

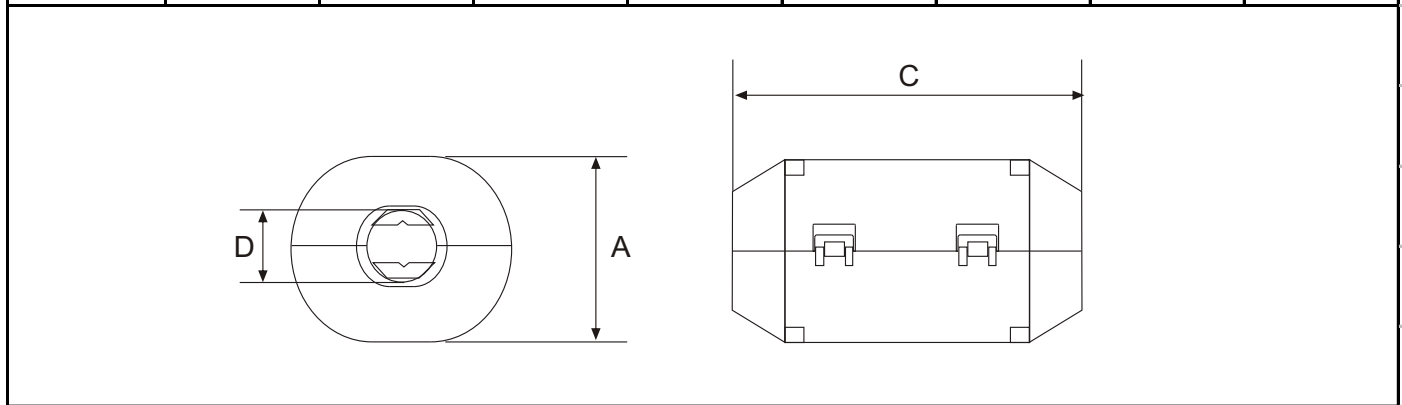
SPECIFICATION FOR APPROVAL

Customer:
 Customer P/N:
 SME P/N: SF-50
 Date: 2012-7-24



F Test Data List:

ITEM	Dimensions					Z Φ0.65x0.5Tsx100L(mm)		
	A	B	C	D	E	25MHZ	100MHZ	
Spec	16.0±1.0		29.5±1.0	5±1.0		33 min	92 min	
1	16.14		29.40	5.10		47	132	
2	16.26		29.60	5.20		44	131	
3	16.14		29.40	5.10		48	132	
4	16.23		29.50	5.20		44	131	
5	15.89		29.40	5.40		46	132	
6	16.18		29.40	5.20		43	131	
7	16.26		29.50	5.30		46	132	
8	16.32		29.50	5.10		45	131	
9	16.25		29.30	5.10		42	132	
10	16.32		29.40	5.10		48	132	
\bar{X}	16.199		29.440	5.180		45.3	131.6	
Result	OK		OK	OK		OK	OK	



Made	Lee Jin	Checked	Jim	Approved	Lucy
------	---------	---------	-----	----------	------

Shanghai Meisongbei Electronics Co.,Ltd.

Add: No.139, Lane 4501, South Yanggao Rd, PuDong New District, Shanghai Tel:+86-21-62883517 Fax:+86-21-62883519
 Http://www.meisongbei.com