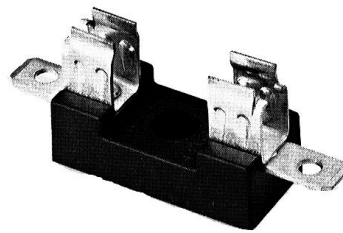


25mm fuseholder

Order code	Manufacturer code	Description
26-7685	FX0331	25 X 6.3MM CHASSIS FUSEHOLDER

25mm fuseholder	Page 1 of 2
The enclosed information is believed to be correct, Information may change 'without notice' due to product improvement. Users should ensure that the product is suitable for their use. E. & O. E.	Revision A 04/07/2003

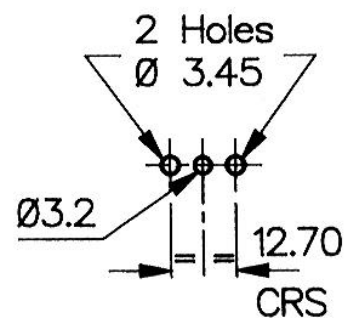
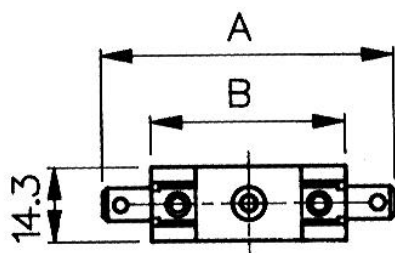
Chassis Mounting 25mm Fuseholder



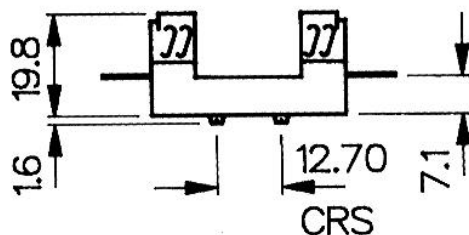
Specifications

Fuse Size:	6.3 x 25
Terminations:	6.3 series tabs.
Max. Rating:	13A. 250V.
Insulation Resistance:	$>10^4 \text{ M}\Omega$ @ 500V d.c.
A.C. Breakdown:	5kV @ 50Hz
Contact Resistance:	$<5\text{m}\Omega$
Base Material:	Glass Filled Polyester
Contacts:	Clips: Phosphor Bronze, Tin Plated. Tabs: Brass, Tin Plated.

Technical Drawing



Fixing Details



List No.
FX0331

DIM A
50.0

DIM B
31.0