

CRN

Enclosures equipped with 360° vision

CRN wall mounting steel enclosures



CRN WALL MOUNTING STEEL ENCLOSURES

Metal enclosures made from a continuous length of sheet steel double folded at the front, with back welded to the frame.

A wide range of sizes : 56 sizes (with CRNG range)

A multipurpose enclosure : Multiple applications in industry enabled by the wide range of accessories.

Quality and guarantee : numerous certifications and type approvals awarded by the most prestigious international bodies and active effort to promote a healthy and clean environment for our customers and the users of our products

Technical description

Material : sheet steel

Liquid tightness : IP66 (EN 60529) for one door enclosures, IP55 for two doors enclosures.

Ruggedness : IK 10

Paint : Both externally and internally protected with polyester epoxy resin grey paint to RAL-7032 texturized.

Certificates :



Mains benefits

- Wall fixing brackets fixed from the outside
- **Front rain gutter** avoids the entry of water, oil or liquids which ensures high degree of protection
- **Embedded cable gland plate and entrance**, leveled with the base, with a neoprene seal.
- The **fullest variety of accessories** in the market
- Back of enclosure with **four M8x15 welded studs with built-in spacers** for fixing of mounting plate and adjustable support
- **Depth adjustable support** with positions every 12,5 mm for mounting plate, 19 ' ' frame....
- **Foamed-in polyurethane gasket** guarantees watertightness for years



Himel
by Schneider Electric





Download the DXF schemes from the CRN website
www.himelenclosures.com

FIG. 1

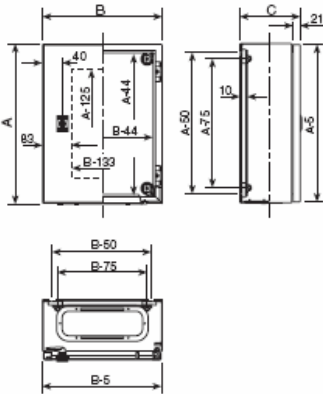
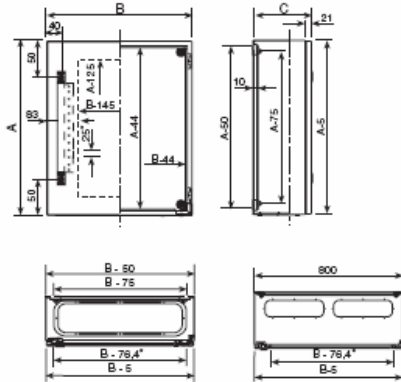
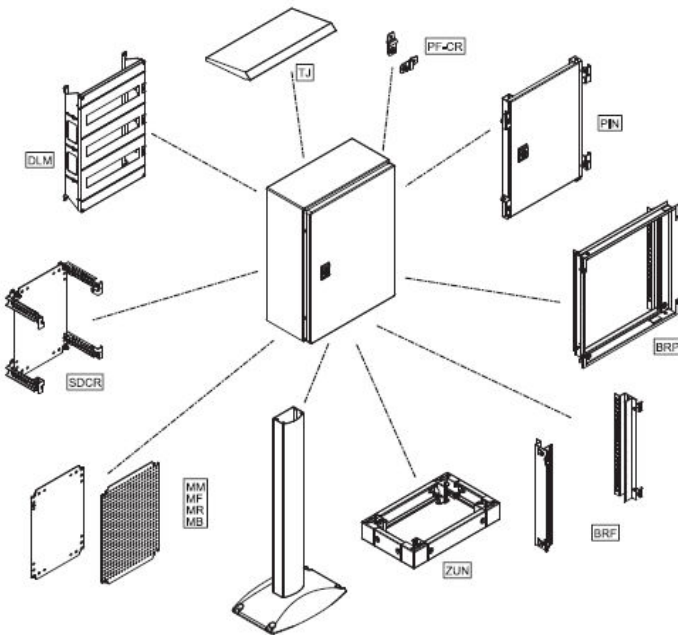
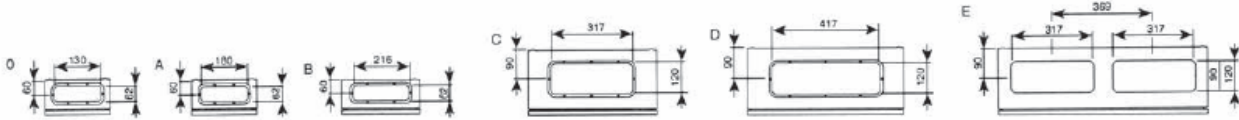


FIG. 2



* Todos los armarios con puerta transparente del tipo KT carecen de perfiles de refuerzo en la puerta.



The CRN range is completed by the three point lock CRNG range (16 dimensions) – Ask us for more information.

