

Digital Timer *Eliso*[®]

- Compact 17.5 mm
- Multi-voltage, Multi-function(8 or 17)
- 3 digit LCD for Preset time and Run time
- Option to select Up/Down counting
- Tamper proof with key lock function
- All settings accomplished with only two keys

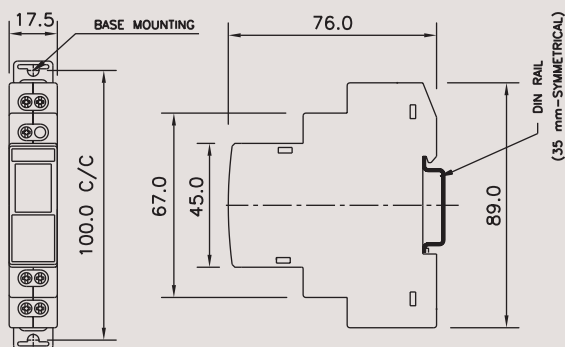


Cat. No.		V0DDTS1, V0DDTS	V0DDTD1, V0DDTD
Parameters			
Supply Voltage (Un)		24 - 240 VAC/DC	
Operating Range		-15% to +10% of Un	
Frequency		50 - 60 Hz, + / - 2 Hz	
Power Consumption (Max.)		10 VA	
Timing Ranges		0.1s to 999h	
Repeat Accuracy		+/- 0.5% of selected range	
Relay Output		1 C/O (SPDT)	2 NO (DPST)
Contact Rating		8A (resistive) @ 240 VAC / 24 VDC	
Contact Material		Ag alloy	
Electrical Life		1x10 ⁵	
Mechanical Life		2x10 ⁷	
Switching Frequency @ rated max load		1800 Operations / h	
Utilization Category	AC - 15	Rated Voltage (Ue): - 125/240 V, Rated Current (Ie) :- 3/1.5 A	
	DC - 13	Rated Voltage (Ue): - 125/250 V, Rated Current (Ie) :- 0.22/0.1 A	
Operating Temperature		-10° C to +55° C	
Storage Temperature		-20° C to +65° C	
LED Indication		Red LED → Relay ON	
Housing		Flame Retardant UL94V0	
Dimension (W x H x D)		17.5 X 89 X 76 (in mm)	
Weight		85 g (unpacked)	
Mounting		Base / DIN rail	
Certification		CE	
Degree of Protection		IP 30 (Enclosure), IP 20 (Terminals)	
Humidity (Non - Condensing)		93% Rh	
EMI/ EMC		CISPR 14-1 Class B	
Radio Interference Suppression		IEC 61000-4-2 Level II	
ESD		IEC-61000-4-4 Level IV	
Electrical Fast Transients		IEC-61000-4-5 Level IV	
Surges		IEC-61000-4-11 (AC), IEC-61000-4-29 (DC)	
Voltage Dips, Interruptions		IEC-60068-2-6	
Vibration			

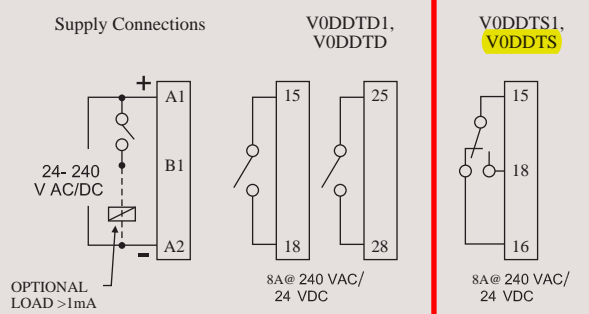
ORDERING INFORMATION

Cat. No.	Description
V0DDTS	24-240 VAC/DC, 8 Functions, 1C/O
V0DDTD	24-240 VAC/DC, 8 Functions, 2 NO
V0DDTS1	24-240 VAC/DC, 17 Functions, 1C/O
V0DDTD1	24-240 VAC/DC, 17 Functions, 2 NO

MOUNTING DIMENSION (mm)



CONNECTION DIAGRAM



TERMINAL TORQUE & CAPACITY

Ø3.5 mm	Torque 0.54 N.m (5 Lb. in) Terminal Screw M2.5
	1 x 0.2 - 2.5 mm ² Solid Wire / single wire ferrule 2 x 0.2 - 0.5 mm ² Insulated with twin ferrule
AWG	1 x 24 to 13



FUNCTIONAL DIAGRAMS FOR **V0DDTS** & V0DDTD

	<p>P : A1-A2 </p> <p style="text-align: right;">P: Power-On operation</p>
ON DELAY (A)	<p>S : B1 </p> <p>R : </p>
CYCLIC OFF/ON {OFF Start, (Sym, Asym)} (b)	<p>S : B1 </p> <p>R : </p>
CYCLIC ON/OFF {ON Start, (Sym, Asym)} (C)	<p>S : B1 </p> <p>R : </p>
SIGNAL ON/OFF (d)	<p>S : B1 </p> <p>R : </p>
SIGNAL OFF DELAY (E)	<p>S : B1 </p> <p>R : </p>
INTERVAL (F)	<p>S : B1 </p> <p>R : </p>
SIGNAL OFF / ON (G)	<p>S : B1 </p> <p>R : </p>
ONE SHOT OUTPUT (H)	<p>S : B1 </p> <p>R : </p>

Note:

1. For Power-On operation (P) connect the terminal B1 to A1 permanently.
2. If the Signal (S) changes during the Timer Duration (T), it does not change the output relay but re-triggering takes places and the Timer Duration is extended.