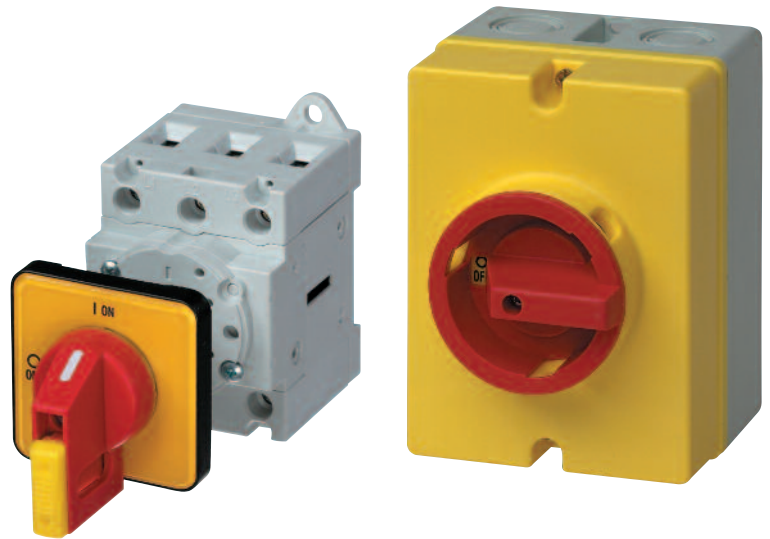


# Isolators 69 Series



- 3 and 4 pole
- On load 20A - 80A
- Red/yellow or black handles
- 3 padlock positions
- IP65
- Enclosed, DIN rail, base or panel mount versions
- Lightweight ext shafts 100-400mm
- Side mounted auxiliary contacts
- UL approval

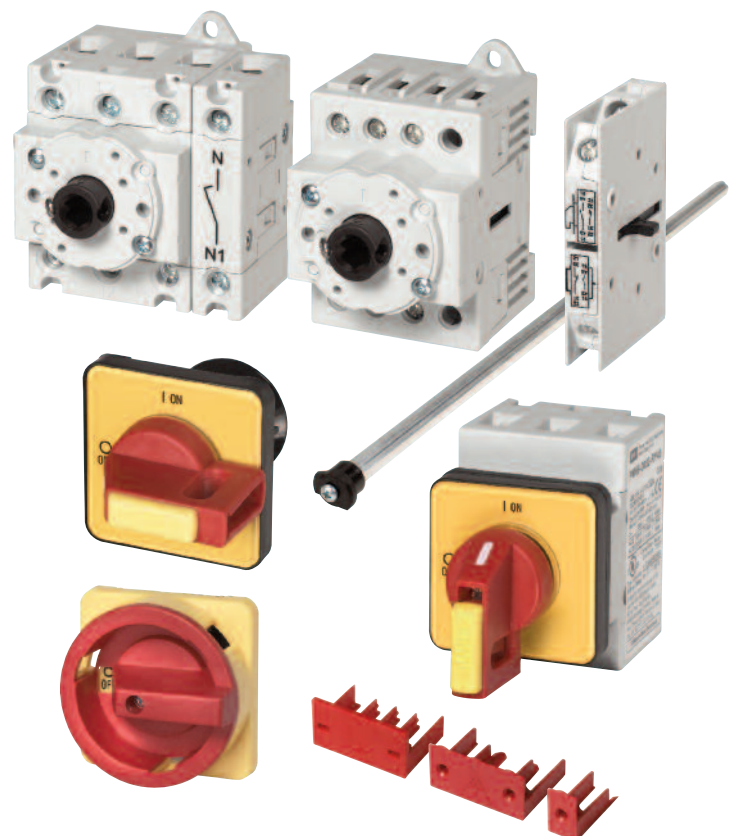


## Options and ordering codes

PM69		-	30		20		RY64																	
IP65 enclosed	<b>PE69</b>		3 pole	<b>30</b>	<table border="1"> <thead> <tr> <th colspan="2">Rating @ 400V</th> </tr> <tr> <th>AC21/Amps</th> <th>AC23/kW</th> </tr> </thead> <tbody> <tr> <td>20</td> <td>5.5</td> </tr> <tr> <td>25</td> <td>7.5</td> </tr> <tr> <td>32</td> <td>11</td> </tr> <tr> <td>40</td> <td>15</td> </tr> <tr> <td>63</td> <td>18.5</td> </tr> <tr> <td>80</td> <td>22</td> </tr> </tbody> </table>		Rating @ 400V		AC21/Amps	AC23/kW	20	5.5	25	7.5	32	11	40	15	63	18.5	80	22	<b>RY48</b>	Direct red/yellow 48mm handle
Rating @ 400V																								
AC21/Amps	AC23/kW																							
20	5.5																							
25	7.5																							
32	11																							
40	15																							
63	18.5																							
80	22																							
Base mount door interlock	<b>LB69</b>		4 pole	<b>40</b>	<b>RY64</b>	Direct red/yellow 64mm handle																		
Front panel mount	<b>PM69</b>				<b>B48</b>	Direct black 48mm handle																		
Direct handle base mounted	<b>DM69</b>				<b>B64</b>	Direct black 64mm handle																		
							Enclosed/door interlocked vertical																	

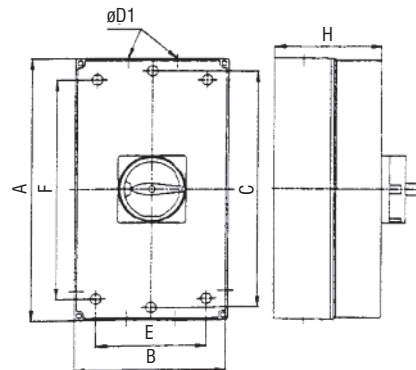
## Accessories

Description	Part ref
Red/yellow handle 64 x 64mm	H69-0001
Black handle 64 x 64mm	H69-0002
Red/yellow handle 48 x 48mm	H69-0003
Black handle 48 x 48mm	H69-0004
Door handle mounting tool	J7409
Extension shaft – 100mm	E69-0001
Extension shaft – 200mm	E69-0002
Extension shaft – 300mm	E69-0003
Extension shaft – 400mm	E69-0004
Auxiliary contacts 1 n/o + 1 n/c	A69-0001
Auxiliary contacts 2 n/o	A69-0002
Solid neutral block SN69-0001	
Add on neutral switching pole 20-40A	SP69-0001
Add on neutral switching pole 63-80A	SP69-0002
Yellow plate – main switch 64mm	EP69-0001
Yellow plate – main switch 48mm	EP69-0002
Auxiliary contacts 1 n/o + 1 n/c	A69-0001
Auxiliary contacts 2 n/o only	A69-0002
Terminal shroud - 40A	TS69-0001
Terminal shroud - 63, 80A	TS69-0002



## Dimensions

Switch Rating	A	B	D1	E	F	H
20A to 40A	130	98	2xM20/25	75	100	77
63A and 80A	200	120	M40.5/ 32.5 + 16.5	95	165	86



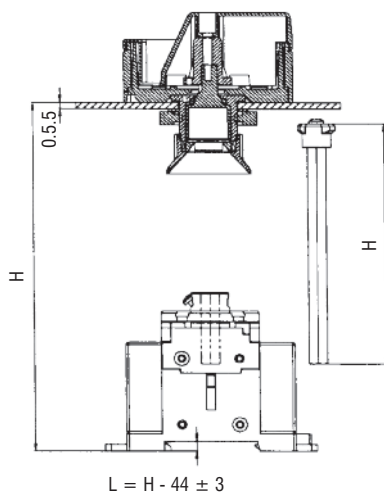
## Specification

PE/LB/PM/DM ...		69-3020 69-4020	69-3025 69-4025	69-3032 69-4032	69-3040 69-4040	69-3063 69-4063	69-3080 69-4080
Rated insulation voltage	Ui	690	690	690	690	690	6
Rated thermal current	I <sub>th</sub>	20A	25A	32A	40A	63A	80A
Ratings @ 415V							
AC21	A	20	25	32	40	63	80
AC22	A	20	25	32	40	63	80
AC23	Kw	5.5	7.5	11	15	18.5	22
Making capacity @ 415V	A <sub>eff</sub>	120	150	220	300	370	44
Breaking capacity @ 415V	A <sub>eff</sub>	110	135	200	250	330	380
Electrical life @ rated load							
Mechanical life	x10 <sup>3</sup>	100	100	100	100	100	100
Maximum cable size	mm <sup>2</sup>	10	10	10	10	25	25
Weight	g	0.46	0.46	0.46	0.46	0.46	0.46

## Dimensions

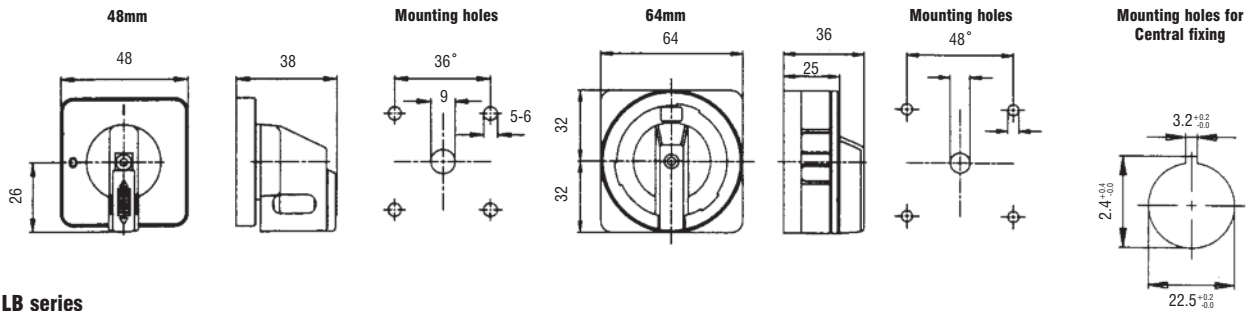
LB Series

H = Base plate to door, L = shaft length

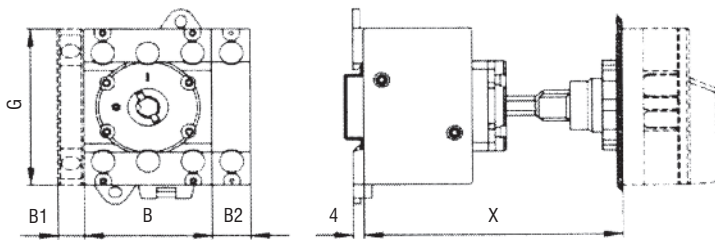


## Dimensions *continued*

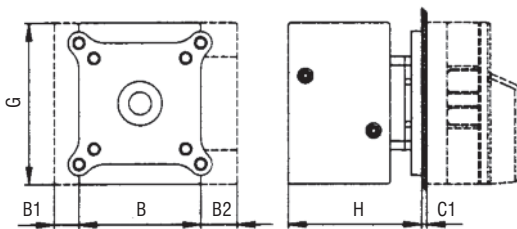
Door interlock levellers 48mm



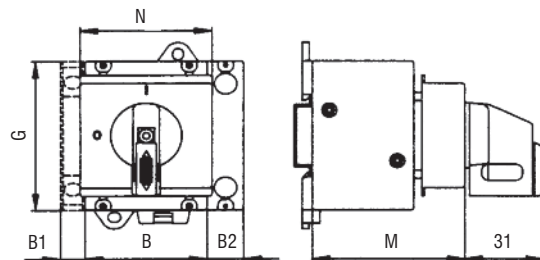
### LB series



### PM series



### DM series



Type	3-pole B	4-pole B	Auxiliary contacts B1	4-pole PE B2	C1	H	M	N
20A to 80A	48	62.5	10	14.5	1-5	54	60	52