

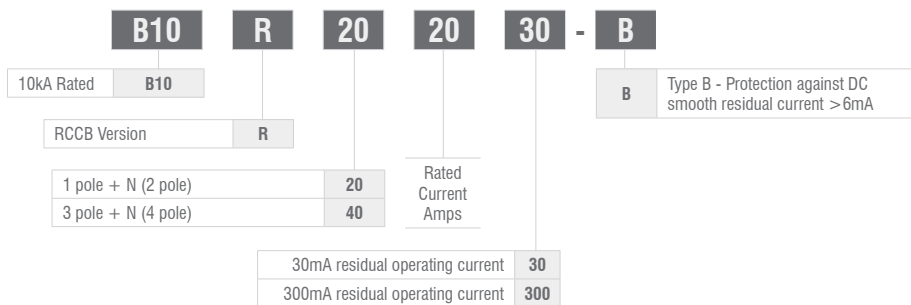
Residual Current Circuit Breakers B10R (B Type)

The IMO range of Residual Current Circuit Breakers have been designed for protection of electrical installations against earth fault / leakage current and are manufactured in accordance with IEC 61008-1 and IEC 62423.

Type B RCCBs are able to provide protection in case of alternating residual sinusoidal current up to 1kHz, pulsating direct residual currents and smooth direct residual currents. Additionally, Type B RCCBs provide protection if the smooth DC residual current exceeds 6mA.



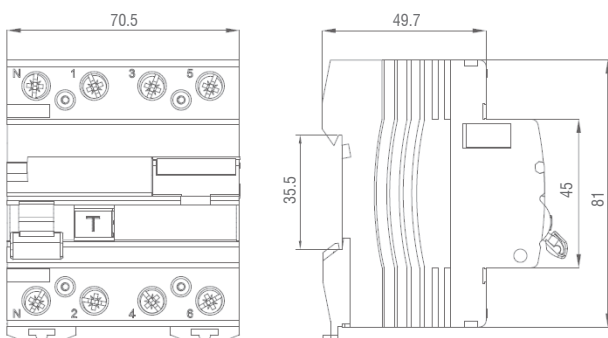
Options & Ordering Codes



Specifications

In accordance with:	IEC 61008-1 and IEC 62423	
Certification:	CE	
Pole composition:	1P + N, 3P + N	
Rated current:	20A, 40A, 63A	
Residual current characteristics:	B	
Calibration Temperature:	+30°C	
Rated frequency:	50/60Hz	
Rated voltage:	230VAC/400VAC	
Rated residual operating current:	30mA, 300mA	
Residual DC Smooth Current:	6mA	
Residual tripping current range:	0.5 ~ 1A	
Rated conditional short circuit current:	10kA	
Electrical lifetime:	> 4,000 cycles	
Fastening torque:	2.0Nm	
Terminal capacity:	35mm ² solid, 25mm ² stranded conductor	
Mounting:	on rail EN 60715 (EN 50022)	
Protection degree:	IP20	
Operating temperature:	-25°C - +55°C	
Weight (g/pc):	1P+N	294
	3P+N	363

Dimensions (mm)



Wiring Diagram

