

ARCA 604021

FIBOX
Enclosing innovations



Sample image

Order symbol: ARCA 604021

Product nbr: 8120012

Description: Cabinet, PC

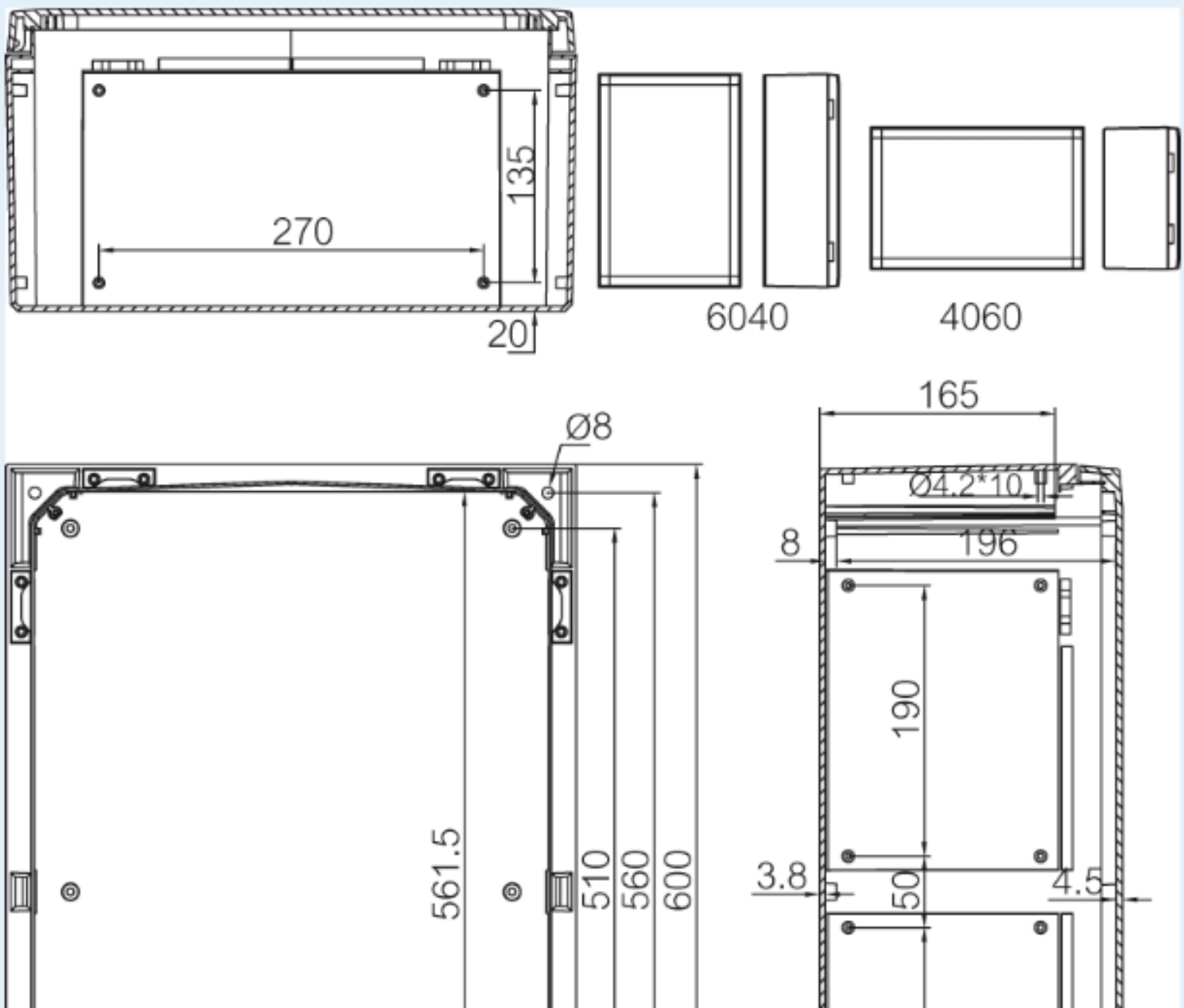
Remarks: Grey cover, 2-point locking, hinges on the long side

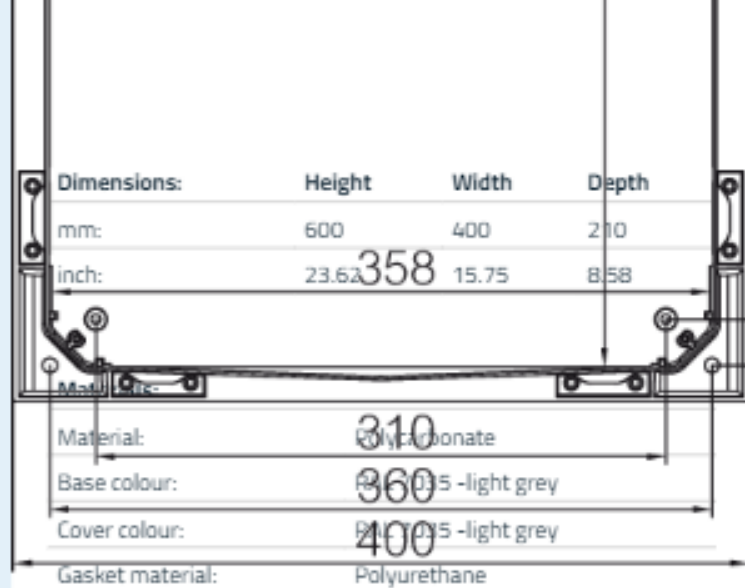
Including: Cabinet base, door with PUR gasket, mounting plate, screws for mounting plate, 3mm double bit lock(s) with key, 5 versions with swinghandle 2-point locking system, Door guide included.

EAN: 6418074079237

El. number:

- Finland: 3423100
- Denmark: 8212091100
- Sweden: 2500118





Temperatures:

Temperature °C (short term):	-40 ... 120
Temperature °C (continuous):	-40 ... 80
Temperature °F (short term):	-40 ... 250
Temperature °F (continuous):	-40 ... 175

Accessories:

MPS ARCA 6040	Mounting plate (550x350x2 mm) (550 x 350 x 2)
RCS ARCA 6040	Rail add-on set for size 6040 (20 x 30 x 30)
SBK ARCA 40	Support bar kit (340 x 40 x 30)
DRS ARCA 604021	DIN rail frame set (585 x 385 x 35)
PMK ARCA 40	PoleMounting kit. for pole \varnothing 100-300mm (385 x 285 x 35)
MPMP ARCA 6040	Mounting plate multiple for size 6040 (550 x 350 x 2 mm - \varnothing 3.6 mm) (550 x 450 x 2)
MPP ARCA 6040	Mounting plate perforated (550x350x2 mm - 26x11 mm) (550 x 350 x 2)
IDS ARCA 6040	Inner door set (585 x 385 x 35)
MPX ARCA 6040	Mounting plate (550x350 mm) (550 x 350 x 5)
DSP ARCA VLS	Door stopper ARCA. vertical. left. small
SBK ARCA 60	Support bar kit (535 x 40 x 30)
DSP ARCA VRS	Door stopper ARCA. vertical. right. small

Rating:

Ingress protection (EN 60529):	IP66;
Impact Resistance (EN 62262):	IK10;
Electrical insulation:	Totally insulated
Halogen free (DIN/VDE 0472, Part 815):	1
UV resistance:	UL 508
Flammability Rating:	UL 94 5VA
Glow Wire Test (IEC 695-2-1) °C:	960 °C
NEMA Class	NEMA 1, 4, 4X, 12 and 13

Certificates:

Certificate FI 40467