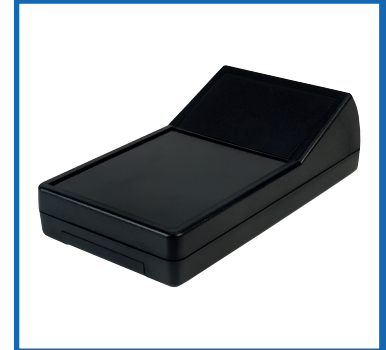


ABS Handheld Enclosure c/w Battery Compartment Black 189 x 104.5 x 59mm



DESCRIPTION

A black textured impact-resistant ABS enclosure with sloping panel and battery compartment.

DISTINCTIVE FEATURES

- Sloping panel with cutout is ideal for displays
- Lid is retained by 4 self-tapping screws
- PCB Pillars and slots included in base and lid
- Finished in black RAL9004
- Insert area for label
- Battery compartment houses 2x AA batteries

APPLICATIONS

Ideal for hand-held meters, test equipment and portable devices that require a display.

ABS

UL94-
HB

RAL
9004

Battery
Compartment



GENERAL SPECIFICATION

Series	Handheld Enclosures
Type	General Purpose Enclosure
Screws	Qty 4 ⊕ M3 x 25mm
Internal Features	PCB Mounting, battery compartment
External Features	Sloping panel with cut-out



MATERIALS

Material	ABS
Finish	Matt
Colour Including RAL Number	Black RAL9004
Screws	Zinc plated



ENVIRONMENTAL/OPERATING SPECIFICATION

Flame Resistance	UL94-HB
IP Rating	Enclosures are designed to meet the requirements of IP20 (minimum)
Operating Temperature	-20°C to +65°C



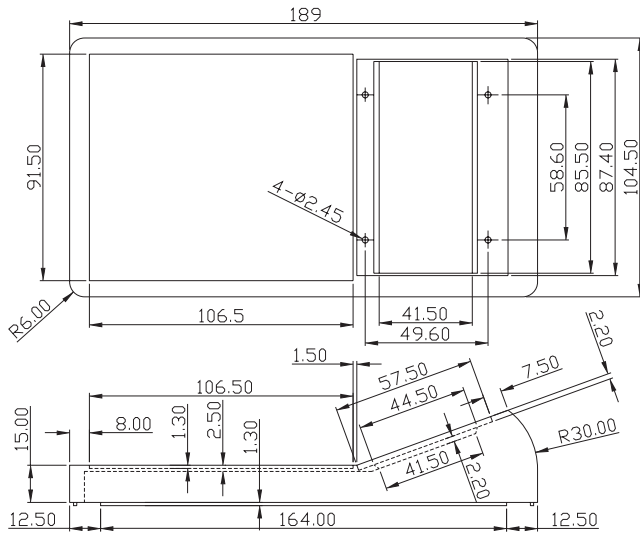
OPTIONS (MOQ may apply)

Colour	Grey RAL7035
--------	--------------

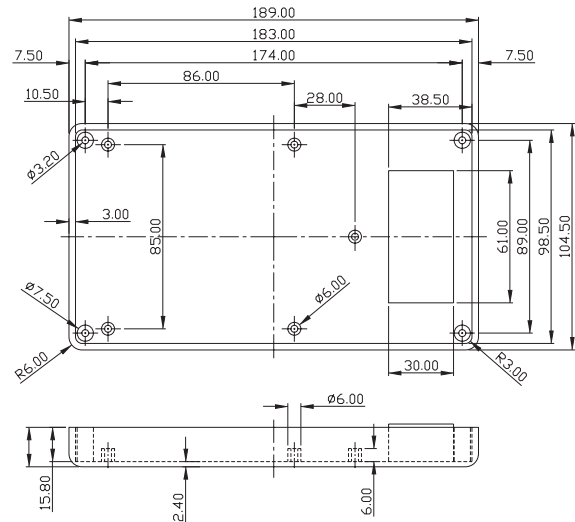


DIMENSIONS/DRAWINGS

Units	mm - unless stated otherwise
Dimensions	189 x 104.5 x 59mm
Wall Thickness	3mm
Weight	207g



TOP



BASE



PART NUMBER TABLE

Part Number	EAN	UNSPSC	Country of Origin
30-0389	5053556002702	39121324	Taiwan

R-TECH

Tried & trusted technology

Important Notice: This data sheet and its contents (the "Information") belong to Rapid Electronics Limited or are licensed to it. No licence is granted for the use of it other than for information purposes in connection with the products to which it relates. No licence of any intellectual property rights is granted. The Information is subject to change without notice and replaces all data sheets previously supplied. The Information supplied is believed to be accurate but Rapid Electronics Limited assumes no responsibility for its accuracy or completeness, any error in or omission from it or for any use made of it. Users of this data sheet should check for themselves the Information and the suitability of the products for their purpose and not make any assumptions based on information included or omitted. Liability for loss or damage resulting from any reliance on the Information or use of it (including liability resulting from negligence or where Rapid Electronics Limited were aware of the possibility of such loss or damage arising) is excluded. This will not operate to limit or restrict Rapid Electronics Limited's liability for death or personal injury resulting from its negligence.