

ME-IO 18,8 DEV-KIT KMGY - Housing set



2202527

<https://www.phoenixcontact.com/pc/products/2202527>

Please be informed that the data shown in this PDF document is generated from our online catalog. Please find the complete data in the user documentation. Our general terms of use for downloads are valid.



DEV-KIT ME-IO: contains 1 x ME-IO 18,8 housing and pluggable connection technology (HSCH with HSCP), supplied in individual parts

Your advantages

- Easy, tool-free mounting
- Optional DIN rail connector for easy module-to-module communication
- Lock and Release principle for automatic latching and intuitive release of the front connection plug
- Plastic in accordance with UL94 V0: for more rigorous flammability requirements
- Plug-in front connection technology

Commercial data

Item number	2202527
Packing unit	1 pc
Minimum order quantity	1 pc
Product key	ACHEBD
GTIN	4055626141770
Weight per piece (including packing)	91 g
Weight per piece (excluding packing)	89 g
Customs tariff number	85366990
Country of origin	DE

ME-IO 18,8 DEV-KIT KMGY - Housing set

2202527

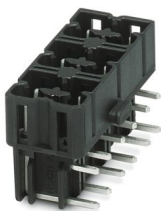
<https://www.phoenixcontact.com/pc/products/2202527>

Set consists of

HSCH 2,5-3U/12 9005 - PCB header

2201788

<https://www.phoenixcontact.com/pc/products/2201788>



PCB headers, nominal cross section: 2.5 mm², color: black, nominal current: 8 A, rated voltage (III/2): 320 V, contact surface: Sn, contact connection type: Pin, number of potentials: 12, number of rows: 2, number of positions: 12, number of connections: 12, product range: HSCH 2,5/..-G, pitch: 5 mm, mounting: Wave soldering, pin layout: Linear pinning, solder pin [P]: 3.8 mm, number of solder pins per potential: 1, plug-in system: HSC 2,5, Pin connector pattern alignment: Standard, locking: without, mounting: without, type of packaging: packed in cardboard

HSCH 2,5-2U/ 8 9005 - PCB header

2201789

<https://www.phoenixcontact.com/pc/products/2201789>



PCB headers, nominal cross section: 2.5 mm², color: black, nominal current: 8 A, rated voltage (III/2): 320 V, contact surface: Sn, contact connection type: Pin, number of potentials: 8, number of rows: 2, number of positions: 8, number of connections: 8, product range: HSCH 2,5/..-G, pitch: 5 mm, mounting: Wave soldering, pin layout: Linear pinning, solder pin [P]: 3.8 mm, number of solder pins per potential: 1, plug-in system: HSC 2,5, Pin connector pattern alignment: Standard, locking: without, mounting: without, type of packaging: packed in cardboard

ME-IO 18,8 DEV-KIT KMGY - Housing set

2202527

<https://www.phoenixcontact.com/pc/products/2202527>

HSCP-SP 2,5-1U4-7035 - PCB connector

2201780

<https://www.phoenixcontact.com/pc/products/2201780>



PCB connector, nominal cross section: 2.5 mm², color: light gray, nominal current: 8 A, rated voltage (III/2): 320 V, contact surface: Sn, contact connection type: Socket, number of potentials: 4, number of rows: 2, number of positions: 4, number of connections: 4, product range: HSCP-SP 2,5-..., pitch: 5 mm, connection method: Push-in spring connection, conductor/PCB connection direction: 0 °, locking clip: - Locking clip, plug-in system: HSC 2,5, locking: without, mounting: without, type of packaging: packed in cardboard, Color of the spring lever: orange

ME-IO 18,8 C 2U 7035 - Housing cover

2201799

<https://www.phoenixcontact.com/pc/products/2201799>



DIN rail housing, 2U, Housing cover, width: 18.9 mm, height: 21.8 mm, depth: 26 mm, color: light gray (similar RAL 7035)

ME-IO 18,8 DEV-KIT KMGY - Housing set

2202527

<https://www.phoenixcontact.com/pc/products/2202527>

HSC-LR 7U KIT 2003 - Locking

2201795

<https://www.phoenixcontact.com/pc/products/2201795>



DIN rail housing, 7U, Lock and Release system, width: 16.1 mm, height: 89.95 mm, depth: 8.8 mm, color: orange (similar RAL 2003)

ME-IO 18,8 B/FE 9U TBUS 7035 - Mounting base housing

2201809

<https://www.phoenixcontact.com/pc/products/2201809>



DIN rail housing, Lower housing part, with metal foot catch, with functional ground contact, with vents, width: 18.9 mm, height: 109.6 mm, depth: 64.3 mm, color: light gray (similar RAL 7035), cross connection: DIN rail connector (optional), number of positions cross connector: 5

ME-IO 18,8 DEV-KIT KMGY - Housing set



2202527

<https://www.phoenixcontact.com/pc/products/2202527>

Technical data

Notes

Recommendation	Material of contact pads for bus connector, galvanic gold (hard gold)
----------------	---

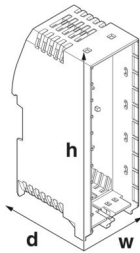
Product properties

Product type	Stackable housing set
Housing type	DIN rail housing
Housing series	ME-IO
Max. number of positions	28 (pitch: 5 mm)
Type	Lower housing part, with metal foot catch, with functional ground contact, with 7U Lock and Release system
Ventilation openings present	yes

Data management status

Article revision	04
------------------	----

Dimensions

Dimensional drawing	
Width	18.9 mm
Height	113.3 mm
Depth	76.5 mm
Depth from top edge of DIN rail	70 mm

PCB design

PCB thickness	1.4 mm ... 1.8 mm
---------------	-------------------

Material specifications

Color (Housing)	light gray (RAL 7035)
Flammability rating according to UL 94	V0
Housing material	Polyamide
Surface characteristics	untreated

Environmental and real-life conditions

Ambient conditions

Max. IP code to attain	IP20
------------------------	------

ME-IO 18,8 DEV-KIT KMGY - Housing set



2202527

<https://www.phoenixcontact.com/pc/products/2202527>

Ambient temperature (operation)	-40 °C ... 105 °C (depending on power dissipation)
Ambient temperature (storage/transport)	-40 °C ... 55 °C
Ambient temperature (assembly)	-5 °C ... 100 °C
Relative humidity (storage/transport)	80 %

PCB data

Number of PCB holders	1
Type of PCB mount	Latching
Thickness of the PCB	1.4 mm ... 1.8 mm

Mounting

Mounting type	DIN rail mounting
---------------	-------------------

ME-IO 18,8 DEV-KIT KMGY - Housing set

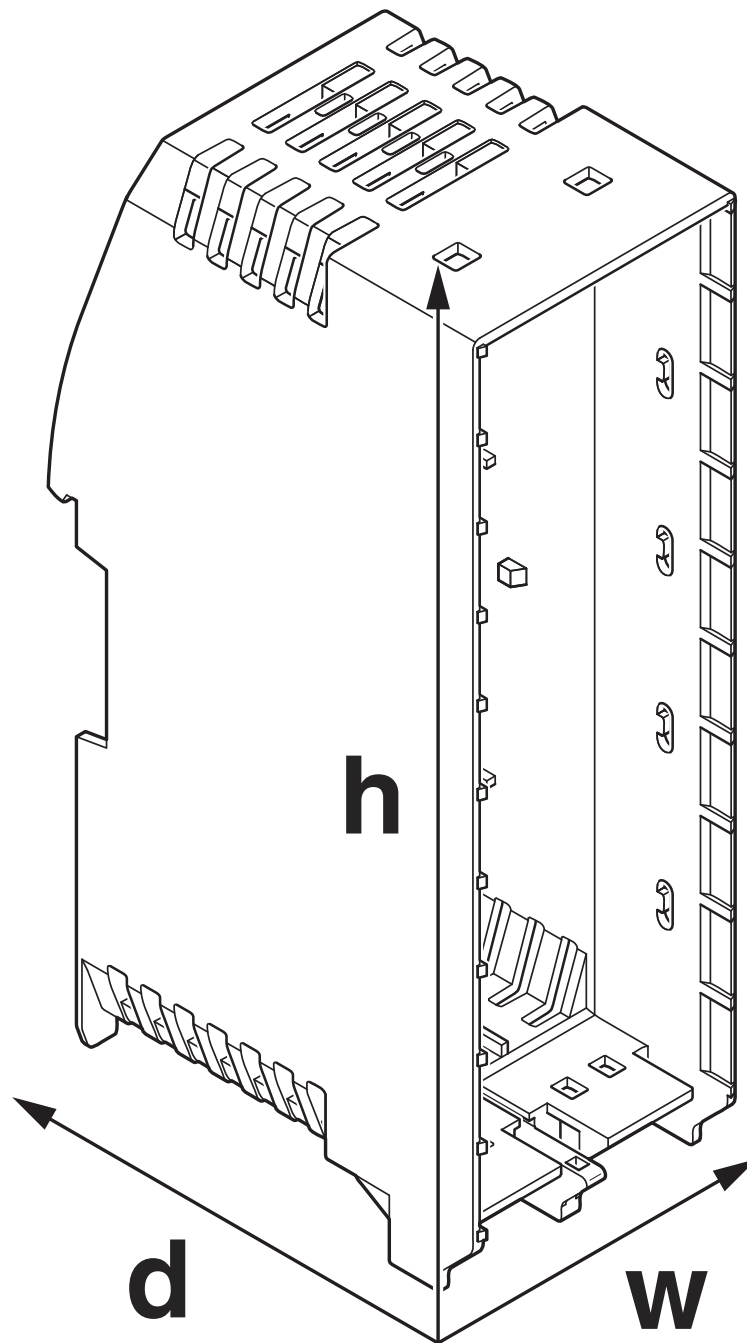
2202527

<https://www.phoenixcontact.com/pc/products/2202527>



Drawings

Dimensional drawing



Schematic figure for illustrating the item dimensions. The figure is not of the desired product. For further details, refer to the product drawings in the "Downloads" tab.

ME-IO 18,8 DEV-KIT KMGY - Housing set



2202527

<https://www.phoenixcontact.com/pc/products/2202527>

Approvals

To download certificates, visit the product detail page: <https://www.phoenixcontact.com/pc/products/2202527>



UL Recognized

Approval ID: E240868

ME-IO 18,8 DEV-KIT KMGY - Housing set



2202527

<https://www.phoenixcontact.com/pc/products/2202527>

Classifications

ECLASS

ECLASS-11.0	27182702
ECLASS-13.0	27190301

ETIM

ETIM 9.0	EC001031
----------	----------

UNSPSC

UNSPSC 21.0	31261500
-------------	----------

ME-IO 18,8 DEV-KIT KMGY - Housing set



2202527

<https://www.phoenixcontact.com/pc/products/2202527>

Environmental product compliance

EU RoHS

Fulfills EU RoHS substance requirements	Yes, No exemptions
---	--------------------

China RoHS

Environment friendly use period (EFUP)	EFUP-E
	No hazardous substances above the limits

EU REACH SVHC

REACH candidate substance (CAS No.)	No substance above 0.1 wt%
-------------------------------------	----------------------------

Phoenix Contact 2024 © - all rights reserved
<https://www.phoenixcontact.com>

PHOENIX CONTACT GmbH & Co. KG
Flachmarktstraße 8
D-32825 Blomberg
+49 (0) 5235-3 00
info@phoenixcontact.com