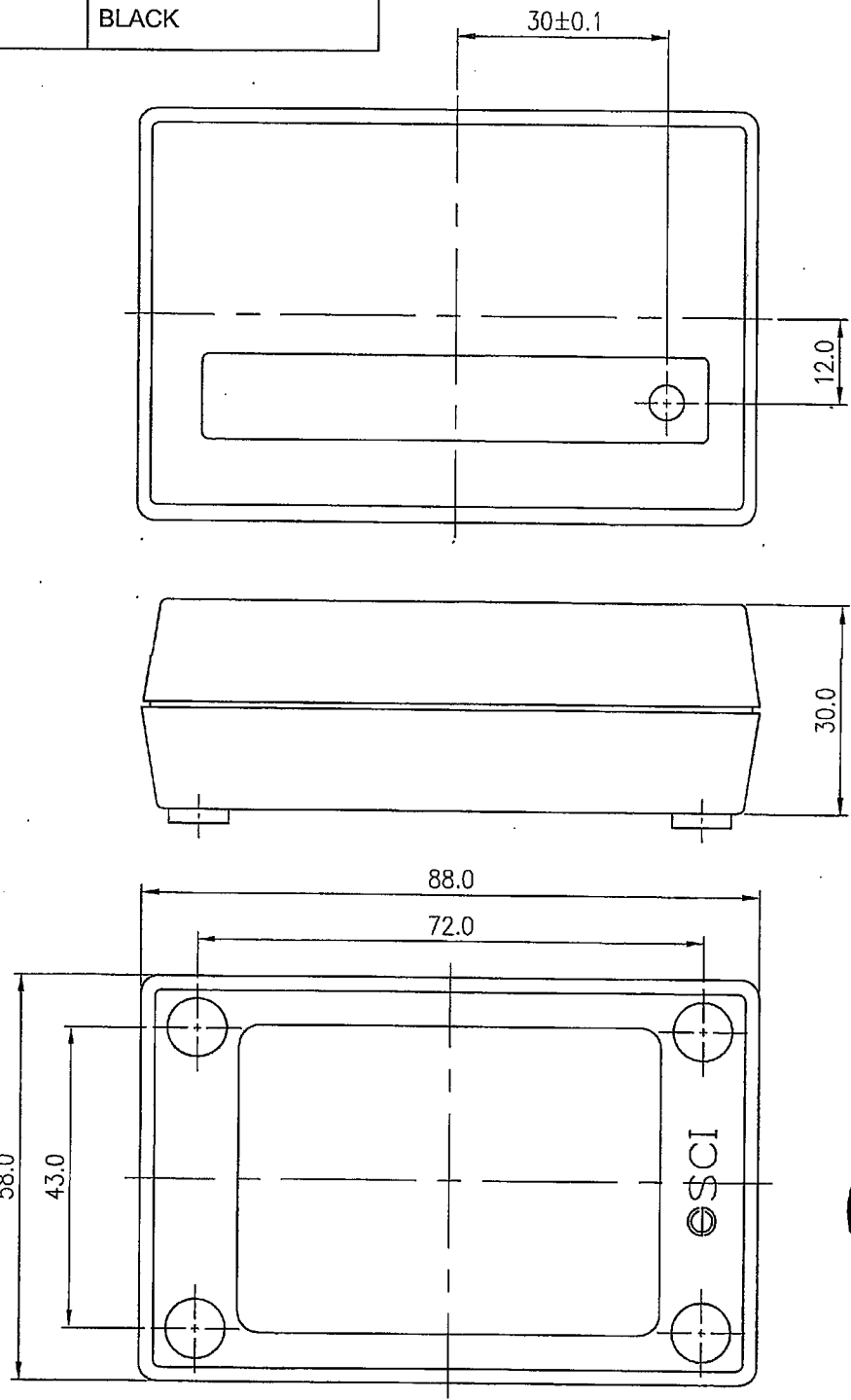
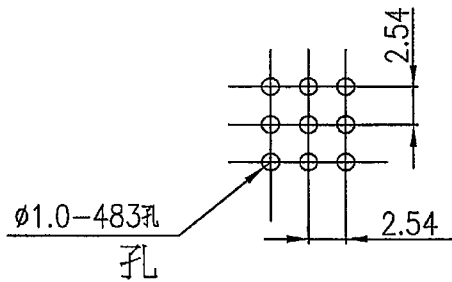
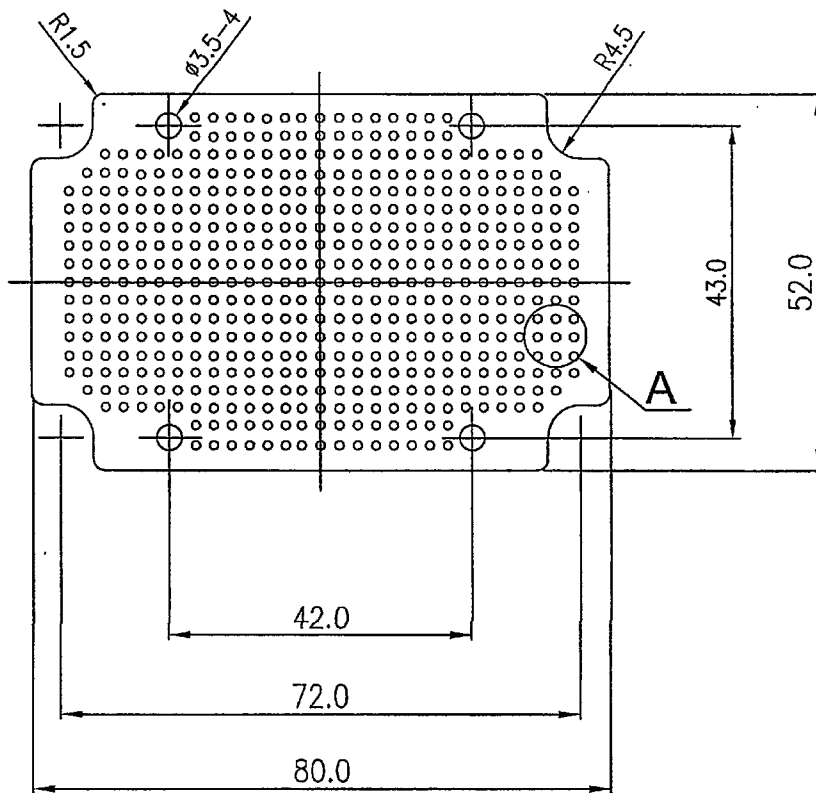


Material of body	ABS
Color of body	BLACK



1 - Tolerances ±0.3 Unless Otherwise Specified

						△		
						△		
Date	Name	Description					No.	
Drawn	Checked	Approved	SCI BOM No.	1690155	Model Name	PROJECT BOX		
曾敏捷		<i>Smu</i>	Customer No.		Model No.	R19-2	Rev.	
08/10/17		8/10/17	Unit	mm	Shin Chin Industrial Co., Ltd.			0



A-SCALE2/1



1 - Tolerances ± 0.3 Unless Otherwise Specified

									△
									△
									△
Date	Name	Description					No.		
Drawn	Checked	Approved	SCI BOM No.	1690154	Model Name	PROJECT BOX			
曾敏捷		<i>Sm...</i>	Customer No.		Model No.	R19-2-3	Rev.		
07/28/17		7/28-17	Unit	mm	Shin Chin Industrial Co., Ltd.		0		