

PC H 95 T

FIBOX
Enclosing innovations



Sample image

Order symbol: PC H 95 T

Product nbr: 8724015

UL Code: 8714015

UL Name: UL PC H 95 T

Description: Enclosure. PC

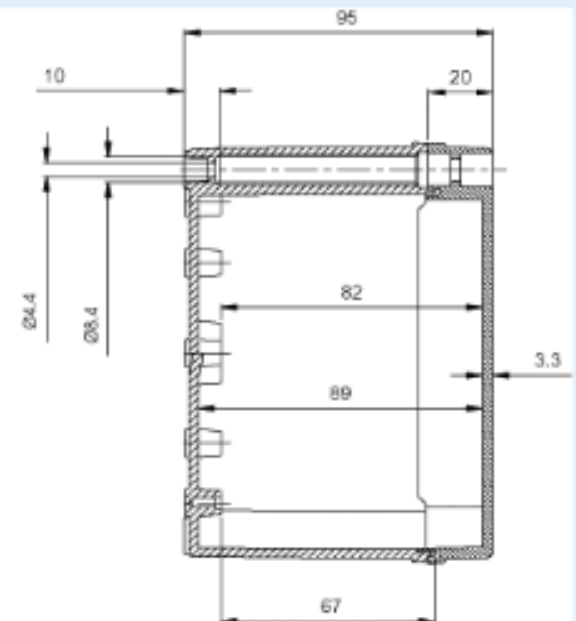
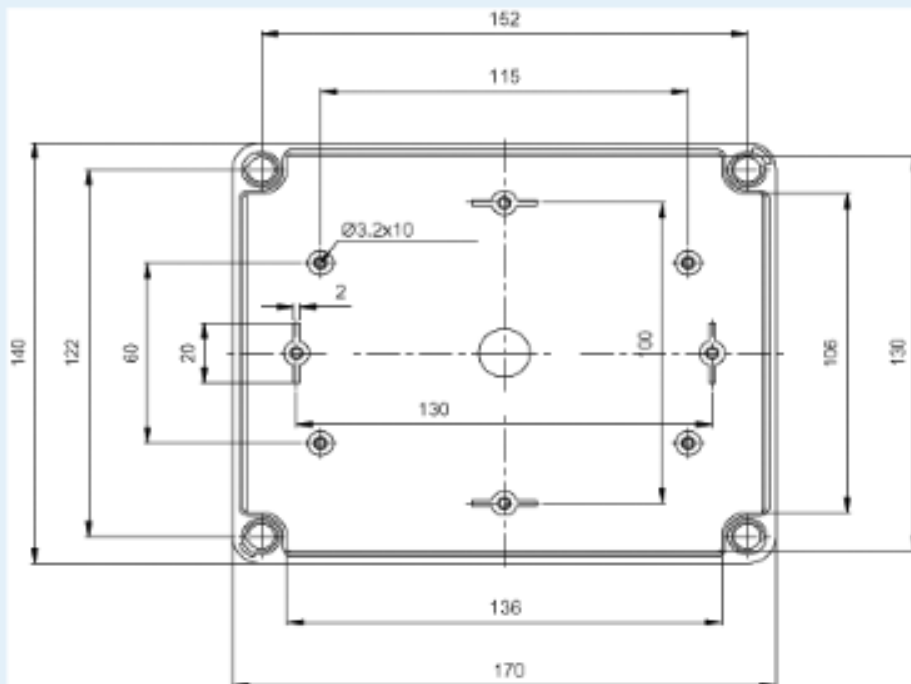
Remarks: Transparent cover

Including: Base with screws for mounting plate/DIN-rail. cover with PUR gasket and polyamide cover screws.

EAN: 6418074002266

El. number:

- Finland: 3423517
- Denmark: 8212001666
- Sweden: 2536856



Dimensions:	Height	Width	Depth
mm:	170	140	95
inch:	6.69	5.51	3.74

Materials:

Material:	Polycarbonate
Base colour:	RAL 7035 -light grey
Cover colour:	
Gasket material:	Polyurethane

Temperatures:

Temperature °C (short term):	-40 ... 120
Temperature °C (continuous):	
Temperature °F (short term):	-40 ... 250
Temperature °F (continuous):	-40 ... 175

Accessories:

CHM-3	DIN-35 Mounting rail. for enclosures: (110 x 35 x 1)
FP 22046	Mounting foot kit (4 pcs)
DH-3	DIN-35 Mounting rail. for enclosures: (140 x 35 x 1)
H-MP	Back Panel. for enclosures: (125 x 94 x 1)

Rating:

Ingress protection (EN 60529):	IP66; IP67;
Impact Resistance (EN 62262):	IK08;
Electrical insulation:	Totally insulated
Halogen free (DIN/VDE 0472, Part 815):	1
UV resistance:	UL 508
Flammability Rating:	UL 746C 5*
Glow Wire Test (IEC 695-2-1) °C:	960 °C
NEMA Class	

Certificates:

SGSFIMKO_PICC_pc