

# PCM 150/75 T

# FIBOX

Enclosing innovations



Sample image

**Order symbol:** PCM 150/75 T

**Product nbr:** 6016914

UL Code: 6416914

UL Name: UL PCM 150/75 T

**Description:** Enclosure. PC

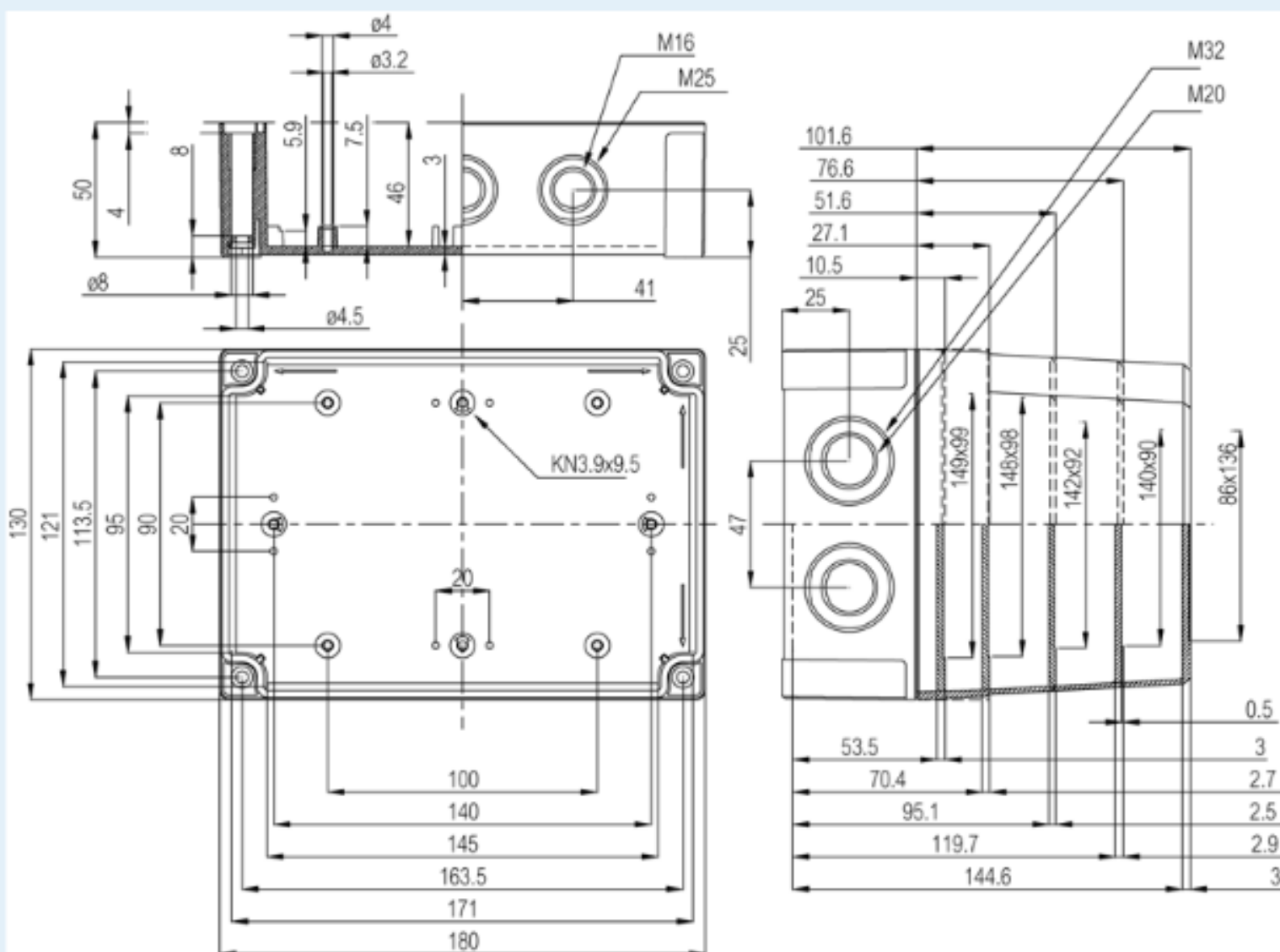
**Remarks:** Smoked transparent cover

**Including:** Base with TPE gasket. screws for mounting plate/DIN-rail and cover with polyamide cover screws.

**EAN:** 6418074038258

**El. number:**

- Finland: 3421666
- Denmark: B212027174
- Sweden: 2535427



Dimensions:	Height	Width	Depth
mm:	180	130	75
inch:	7.09	5.12	2.95

#### Materials:

Material:	Polycarbonate
Base colour:	RAL 7035 -light grey
Cover colour:	Clear transparent
Gasket material:	Polyurethane

#### Temperatures:

Temperature °C (short term):	-40 ... 120
Temperature °C (continuous):	-40 ... 80
Temperature °F (short term):	-40 ... 250
Temperature °F (continuous):	-40 ... 175

#### Accessories:

MIV 10	DIN-35 Mounting rail. for enclosures: (100 x 35 x 1)
FP A 150/180	Front panel (Aluminum). for enclosures: (170 x 112 x 1)
HFP 180	Front panel hinge series
MIV 150	Back Panel (Galvanized steel). for enclosures: (148 x 98 x 1)
MIN 15	DIN-15 Mounting rail. for enclosures: (150 x 15 x 1)
MIN 10	DIN-15 Mounting rail. for enclosures: (100 x 15 x 1)
MIV 15	DIN-35 Mounting rail. for enclosures: (150 x 35 x 1)
FP 22046	Mounting foot kit (4 pcs)

#### Rating:

Ingress protection (EN 60529):	IP66; IP67;
Impact Resistance (EN 62262):	IK08;
Electrical insulation:	Totally insulated
Halogen free (DIN/VDE 0472, Part 815):	1
UV resistance:	UL 508
Flammability Rating:	UL 746C 5*
Glow Wire Test (IEC 695-2-1) °C:	960 °C
NEMA Class	

#### Certificates:

Certificate FI 40847