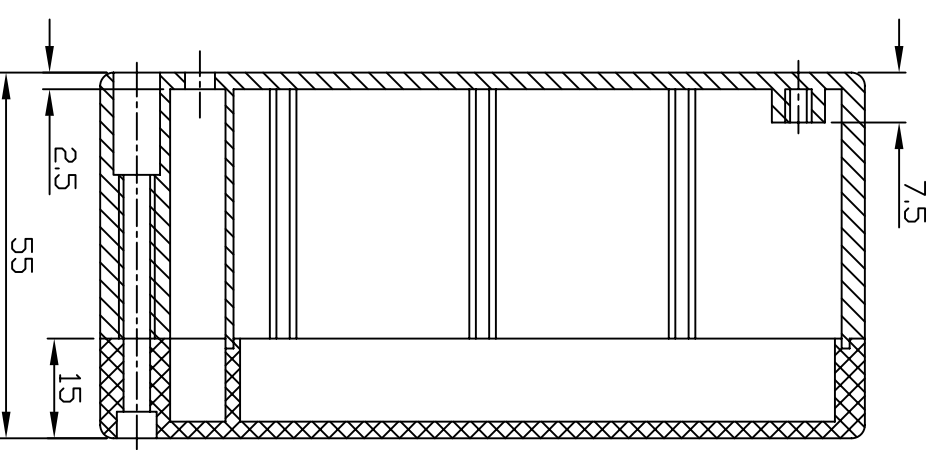
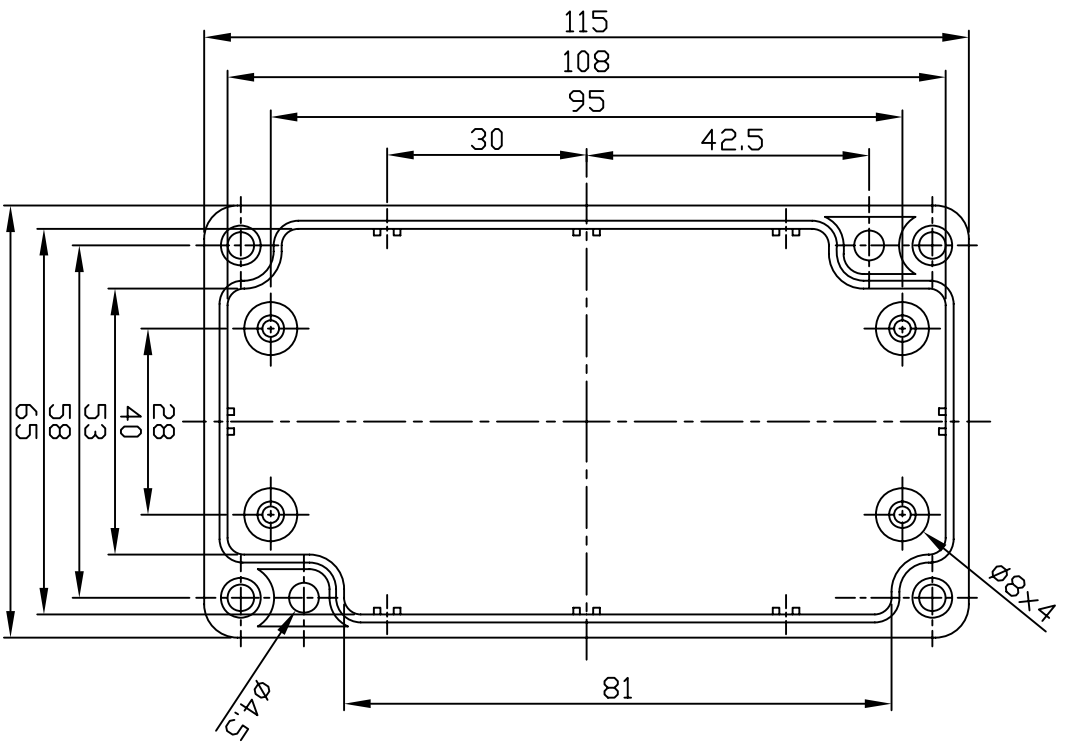


Hand-Held and Remote

Order code	Manufacturer code	Description
30-1220	n/a	115X65X55 SEALED ENCLOSURE (RC)

Hand-Held and Remote	Page 1 of 2
The enclosed information is believed to be correct, Information may change without notice due to product improvement. Users should ensure that the product is suitable for their use. E. & O. E.	Revision A 20/02/2007

G308 / G205



According to ISO 2768-m

Measuring DIM.=L	Tolerance
0.5<L≤3.0 mm	±0.1 mm
3.0<L≤6.0 mm	±0.1 mm
6.0<L≤30.0 mm	±0.2 mm
30.0<L≤120.0 mm	±0.3 mm
120.0<L≤400.0 mm	±0.5 mm
400.0<L≤1000.0 mm	±0.8 mm

宣文實業有限公司
GAINTA INDUSTRIES LTD.

DES'D BY	DESIGNER	Spencer
DRAWN BY	DRAWER	
CHK'D BY	CHECKER	
SCALE	SCALE	
DATE	DATE	Sep.18,2006
MATE.	MATERIAL	ABS,PC
TITLE	TITLE	G308,G205
DWG NO.	DWG NO.	
REVISION	REVISION	B
DESCRIPTION	DESCRIPTION	