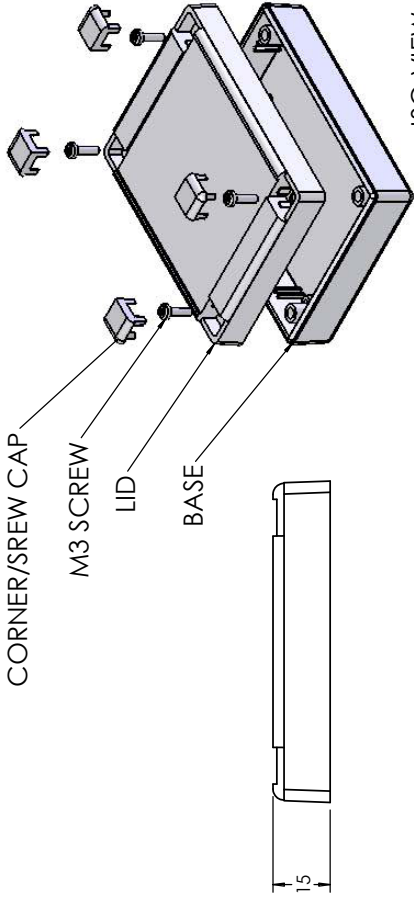
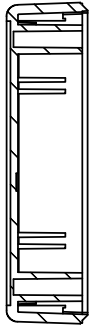


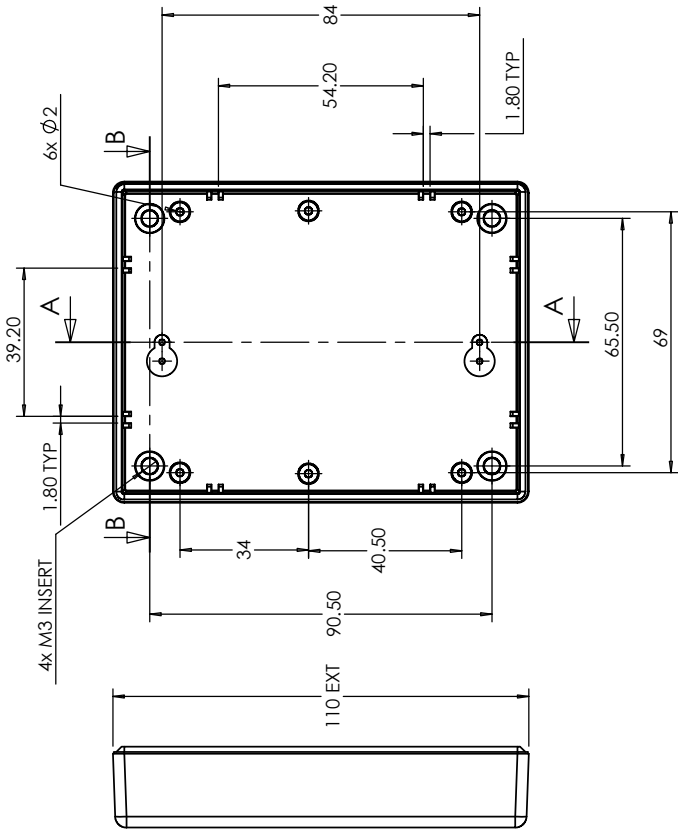
EXTERNAL - 110 x 85 x 35



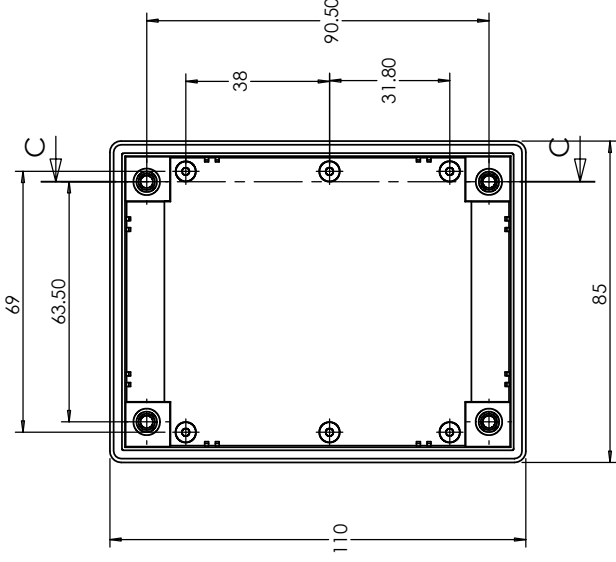
ISO VIEW
1:3



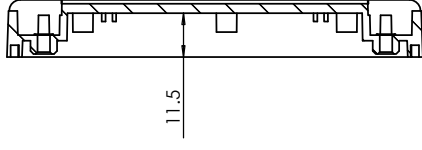
SECTION B-B



BASE



SECTION A-A



SECTION C-C

LID