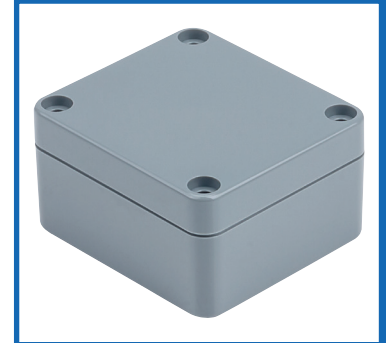


ABS Enclosures IP65 Dark Grey 64 x 58 x 35mm



DESCRIPTION

A multipurpose enclosure manufactured in high-impact dark grey ABS and sealed to IP65 and NEMA 4 (dust and hoseproof).

DISTINCTIVE FEATURES

- Lid and base incorporate tongue and groove sealing system with a neoprene gasket
- Wall mounting holes and lid fixing screws outside sealed area prevent ingress of dust and moisture
- Internal guide slots for mounting PCB assemblies
- Lid fixing screws are M-4 stainless steel (non-magnetic) into threaded brass inserts
- UL-94HB flame resistance rating
- 2.5mm thickness

APPLICATIONS

General purpose ABS project boxes for a variety of applications including electronic projects. Designed to meet IP65 to protect against dust ingress and water spray.

IP65

ABS

UL94-HB



GENERAL SPECIFICATION

Series	IP65 ABS Project Boxes
Type	General Purpose Enclosure
Internal Features	Printed circuit board slots in base and lid
Lid Fixing Screws	M4 stainless steel (non-magnetic) into threaded brass inserts



MATERIALS

Material	ABS (UL94-HB)
Finish	Smooth
Colour	Dark Grey - RAL 7000
Screws	Stainless Steel
Inserts	Brass
Gasket	EPDM



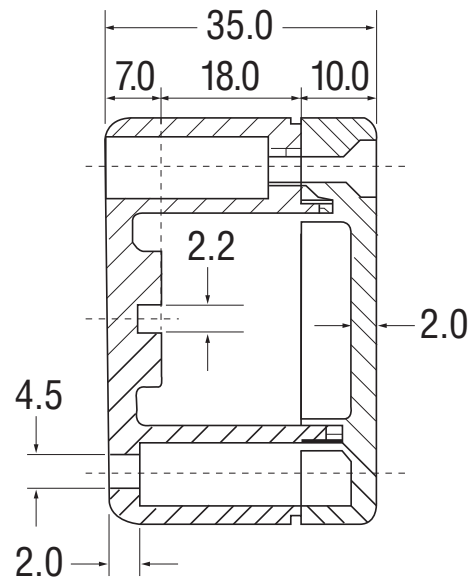
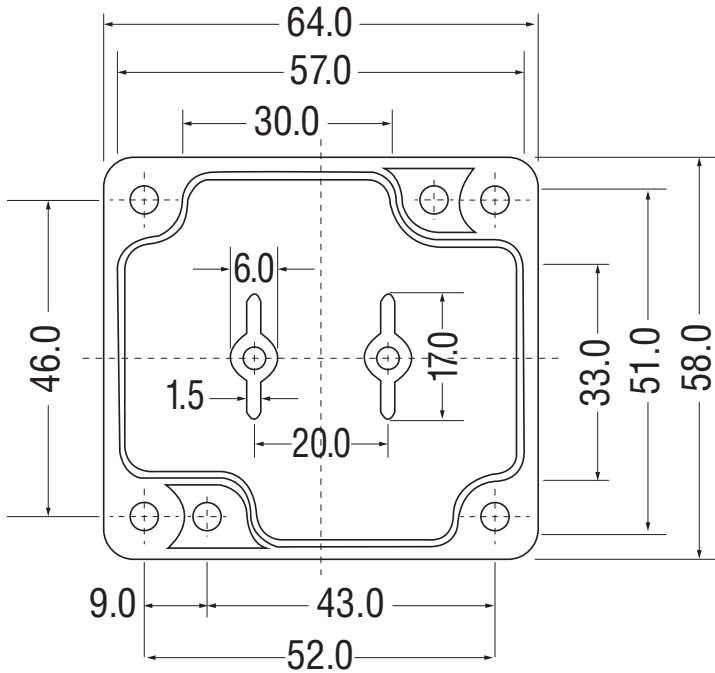
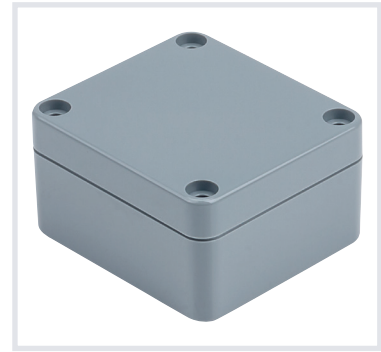
ENVIRONMENTAL/OPERATING SPECIFICATION

Flame Resistance	UL94-HB
IP Rating	Enclosures are designed to meet the requirements of IP65
NEMA Rating	NEMA 4
Operating Temperature	-20°C to +65°C



DIMENSIONS/DRAWINGS

Dimensions	mm
------------	----



PART NUMBER TABLE

Part Number	EAN	UNSPSC	Country of Origin
30-1721	5053556001835	39121324	Taiwan

R-TECH

Tried & trusted technology

Important Notice: This data sheet and its contents (the "Information") belong to Rapid Electronics Limited or are licensed to it. No licence is granted for the use of it other than for information purposes in connection with the products to which it relates. No licence of any intellectual property rights is granted. The Information is subject to change without notice and replaces all data sheets previously supplied. The Information supplied is believed to be accurate but Rapid Electronics Limited assumes no responsibility for its accuracy or completeness, any error in or omission from it or for any use made of it. Users of this data sheet should check for themselves the Information and the suitability of the products for their purpose and not make any assumptions based on information included or omitted. Liability for loss or damage resulting from any reliance on the Information or use of it (including liability resulting from negligence or where Rapid Electronics Limited were aware of the possibility of such loss or damage arising) is excluded. This will not operate to limit or restrict Rapid Electronics Limited's liability for death or personal injury resulting from its negligence.