

ABS Multipurpose Enclosures 197.4 x 113 x 60.5



DESCRIPTION

A multipurpose **project box** moulded in textured, high impact **black ABS** which can be easily drilled or punched.

DISTINCTIVE FEATURES

- Lid is retained by 4 self-tapping screws
- Printed circuit board slots included in base
- Finished in black
- Attractive matt surface finish
- UL94-HB flame resistance rating

APPLICATIONS

General purpose ABS project box for a variety of applications including electronic projects.

ABS

UL94
-HB



GENERAL SPECIFICATION

Series	ABS Project Boxes
Type	General Purpose Enclosure
Internal Features	Printed circuit board slots in base and lid



MATERIALS

Material	ABS
Finish	Light Spark
Colour	Black RAL9004
Screws	⊕ M2.6 x 10 mm PAN HEAD Ni. black



ENVIRONMENTAL/OPERATING SPECIFICATION

Flame Resistance	UL94-HB
IP Rating	Designed to meet the requirements of IP20 (minimum)



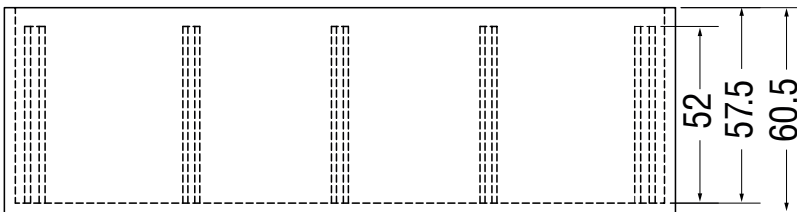
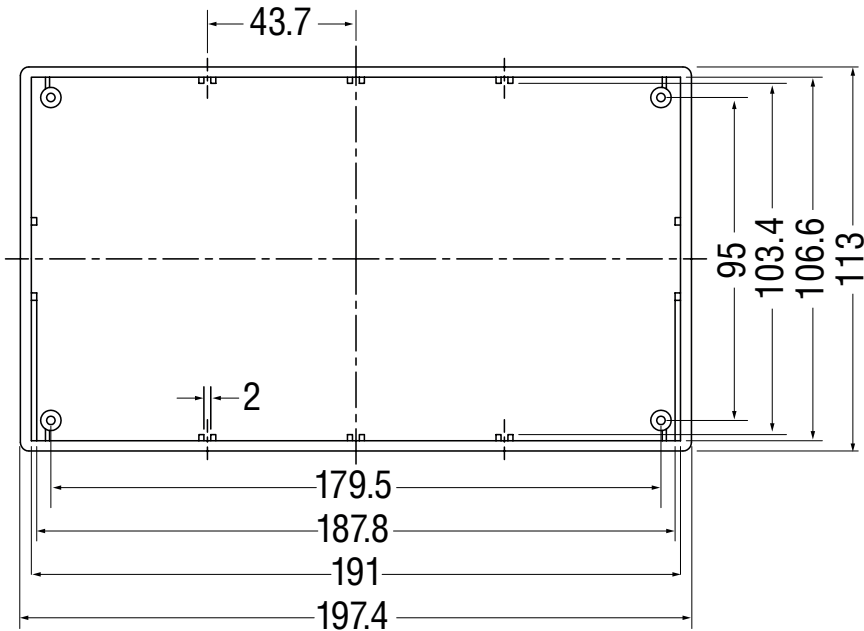
OPTIONS

Factory options are available. Minimum Order Quantities (MOQs) may apply.	
Colour	Light Grey



DIMENSIONS/DRAWINGS

Dimensions	mm
Enclosure height Including Lid	63
Wall thickness	3.2
Weight	253g



PART NUMBER TABLE

Part Number	EAN	UNSPSC	Country of Origin
30-1780	5053556002825	39121324	Taiwan

R-TECH

Tried & trusted technology

Important Notice: This data sheet and its contents (the "Information") belong to Rapid Electronics Limited or are licensed to it. No licence is granted for the use of it other than for information purposes in connection with the products to which it relates. No licence of any intellectual property rights is granted. The Information is subject to change without notice and replaces all data sheets previously supplied. The Information supplied is believed to be accurate but Rapid Electronics Limited assumes no responsibility for its accuracy or completeness, any error in or omission from it or for any use made of it. Users of this data sheet should check for themselves the Information and the suitability of the products for their purpose and not make any assumptions based on information included or omitted. Liability for loss or damage resulting from any reliance on the Information or use of it (including liability resulting from negligence or where Rapid Electronics Limited were aware of the possibility of such loss or damage arising) is excluded. This will not operate to limit or restrict Rapid Electronics Limited's liability for death or personal injury resulting from its negligence.