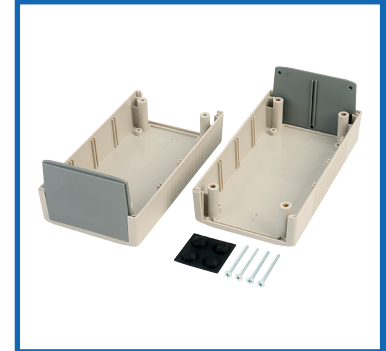


General Purpose ABS Enclosures



DESCRIPTION

A light grey moulded ABS plastic enclosure.

DISTINCTIVE FEATURES

- Non-scratch surface maintains a high quality finish
- Top & bottom tongue & groove joints
- Guide slots for vertical mounting of PCBs
- Bosses for horizontal mounting of PCBs
- Four M-3 screws are countersunk in the base and thread into brass inserts which secure lid and end panels

APPLICATIONS

Ideally suited for instrumentation and telecommunication equipment. Designed to meet IP54 to protect from limited dust ingress & from water spray from any direction.

ABS

RAL
7035

IP54





GENERAL SPECIFICATION

| | |
|-------------------|---------------------------|
| Series | ABS enclosures |
| Type | General purpose enclosure |
| External Features | Removable end panel |
| Internal Features | Guide slots & bosses |
| Screw size | M3 x 25 mm flat head |
| RoHS Compliant | Yes |



MATERIALS

| | |
|-----------------------------|---------------------|
| Material (Enclosure) | ABS (UL94-HB) |
| Material (End panels) | ABS (UL94-HB) |
| Finish | Light spark |
| Colour (Enclosure) | Light Grey |
| RAL colour code (Enclosure) | 7035 |
| Lid colour (End panels) | Grey |
| RAL (End panels) | 7000 |
| Screws | Steel, Zinc plated |
| Inserts | Brass |
| Feet | NR (Natural rubber) |



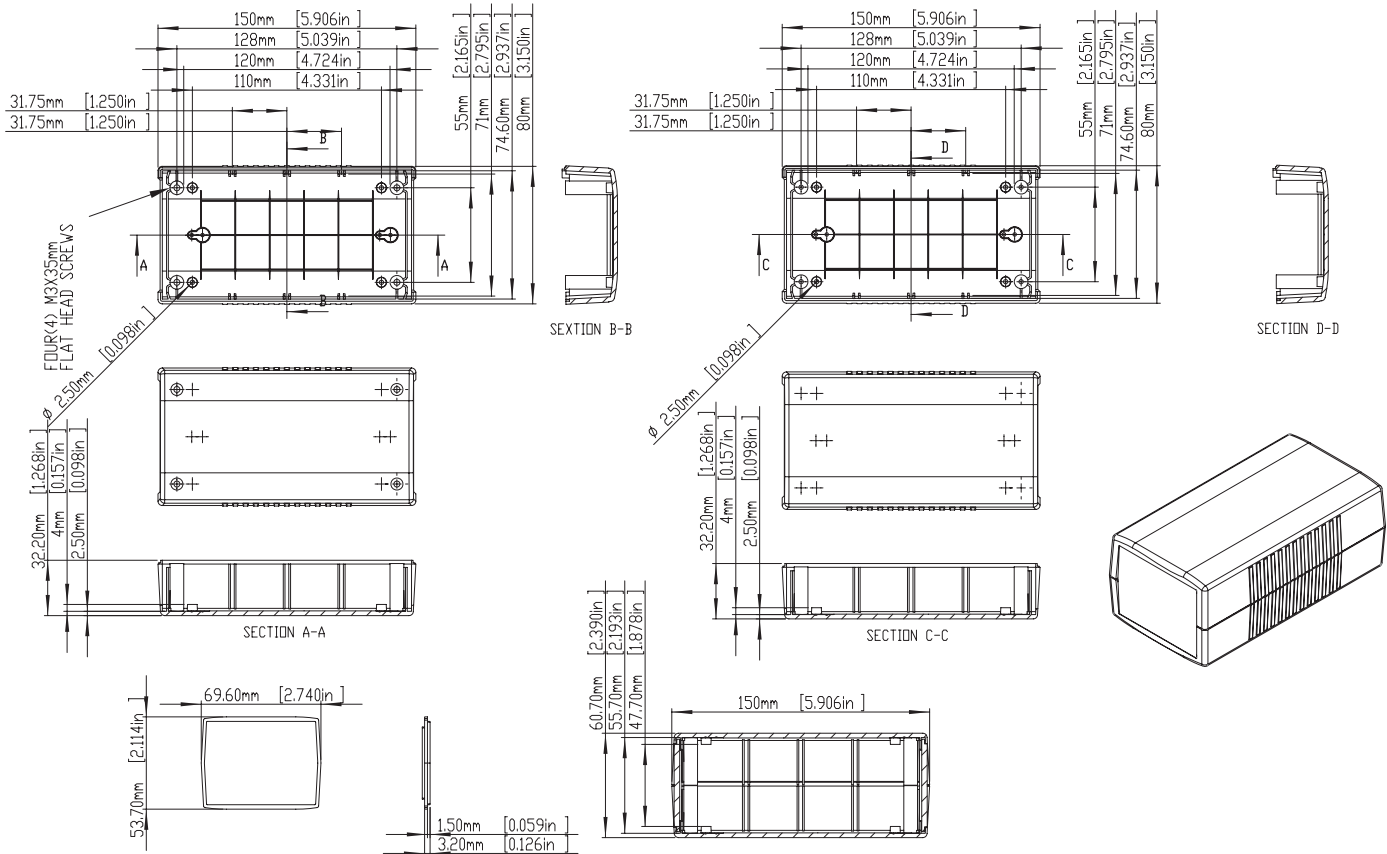
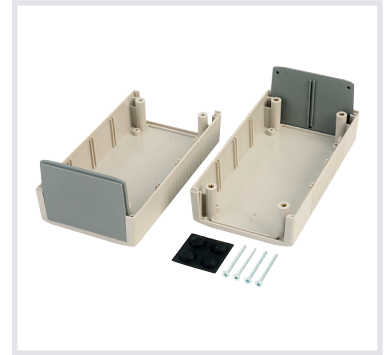
ENVIRONMENTAL/OPERATING SPECIFICATION

| | |
|-----------------------|---------------|
| Flame Resistance | UL94-HB |
| Ingress Protection | IP54 |
| Operating Temperature | -20 to + 65°C |



DIMENSIONS/DRAWINGS

| | |
|----------------|------------------------------|
| Units | mm - unless stated otherwise |
| Dimensions | 150 x 80 x 60mm |
| Weight (grams) | 166.2 |



PART NUMBER TABLE

| Part Number | UNSPSC | EAN | Country Of Origin |
|-------------|----------|---------------|-------------------|
| 30-1937 | 39121324 | 5053556002986 | Taiwan |

R-TECH

Tried & trusted technology

Important Notice: This data sheet and its contents (the "Information") belong to Rapid Electronics Limited or are licensed to it. No licence is granted for the use of it other than for information purposes in connection with the products to which it relates. No licence of any intellectual property rights is granted. The Information is subject to change without notice and replaces all data sheets previously supplied. The Information supplied is believed to be accurate but Rapid Electronics Limited assumes no responsibility for its accuracy or completeness, any error in or omission from it or for any use made of it. Users of this data sheet should check for themselves the Information and the suitability of the products for their purpose and not make any assumptions based on information included or omitted. Liability for loss or damage resulting from any reliance on the Information or use of it (including liability resulting from negligence or where Rapid Electronics Limited were aware of the possibility of such loss or damage arising) is excluded. This will not operate to limit or restrict Rapid Electronics Limited's liability for death or personal injury resulting from its negligence.