

PSU and Transformer Cases

Order code	Manufacturer code	Description
30-3210	FE3N (UK) BLACK	LARGE 13A PLUG PSU CASE (LEADFREE)
30-3205	FE4N (UK) BLACK	SMALL 13A PLUG PSU CASE (LEADFREE)

PSU and Transformer Cases	Page 1 of 2
The enclosed information is believed to be correct, Information may change 'without notice' due to product improvement. Users should ensure that the product is suitable for their use. E. & O. E.	Revision A 04/07/2003

Plug-in Power Supply Case

FE3 & FE4 – UK 13 Amp Plug Case with Brass Earth Pin

Product Specification

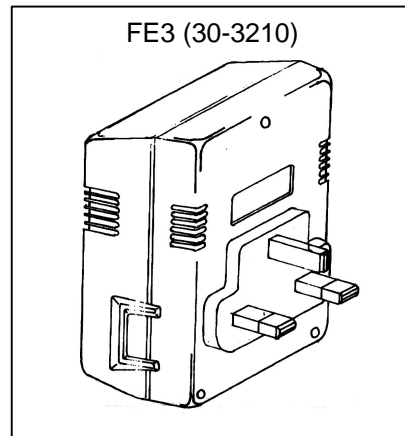
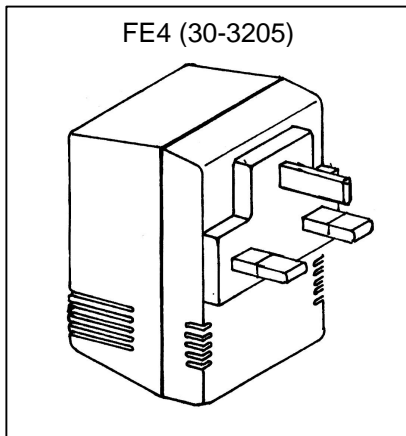
- All cases are moulded in flame retardant material UL 94V-0
- Held together by four self-tapping screws, supplied. An insulation plate is provided to cover the pins
- Live and neutral pins have flying leads soldered to the pins for attaching to the transformer
- A premoulded cable entry is provided to accept standard grommets
- The case has shuttered ventilation to aid cooling on all sides, top and bottom

Note: There is no connection made to the earth pin

Thermal properties: Vicat softening 92°C according to ISO306, DIN53460
Mechanical properties: Impact resistance 85Kj/m squared according to ISO/R179, DIN 53453
Electrical properties: Dielectric strength 31 KV/mm

These cases will accept standard transformer as follows

FE3: E148 metric sized transformer 12VA
FE4: E118 metric sized transformer, 3VA to 6VA



Type	Dimensions (mm)		
	Length	Width	Depth
FE4 UK	78	52	42
FE3 UK	103	61	47