

## ABS Boxes

Order code	Manufacturer code	Description
30-3255	PP25N BLACK	90X56X23MM LOUVERED ABS ENCLOS (RC)

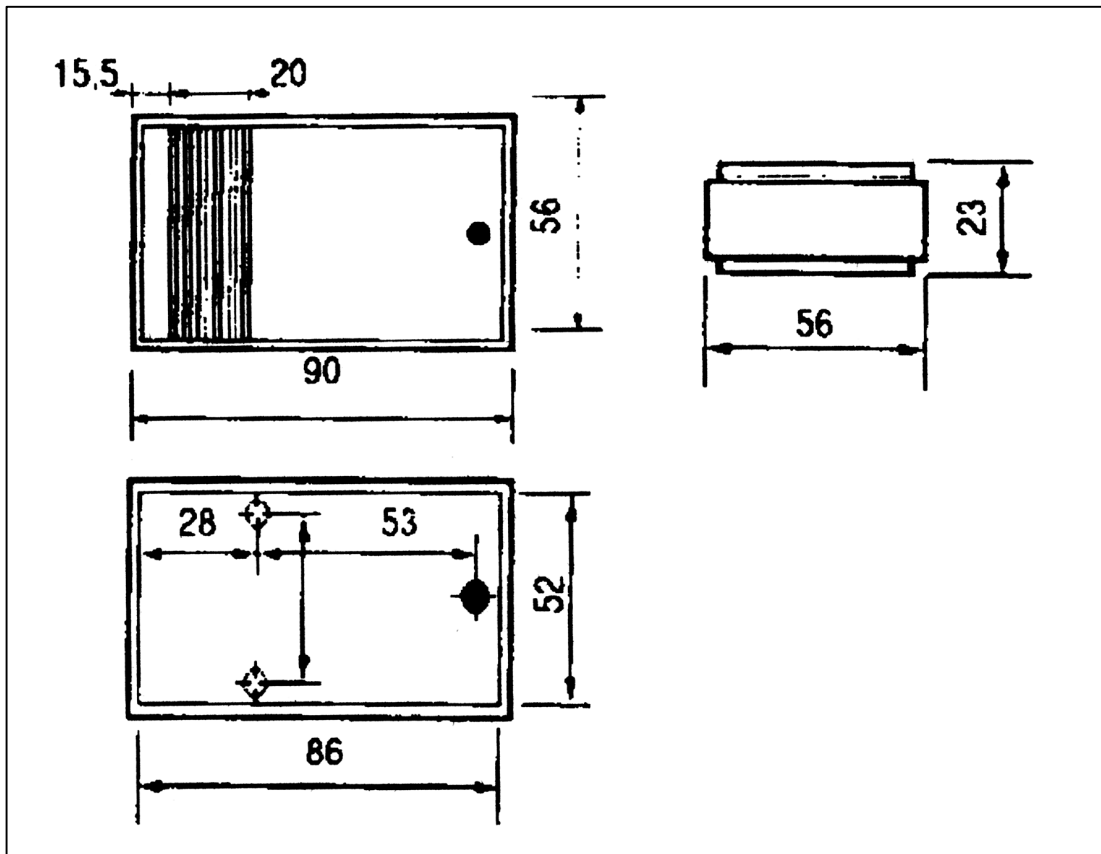
ABS Boxes	Page 1 of 2
The enclosed information is believed to be correct, Information may change without notice due to product improvement. Users should ensure that the product is suitable for their use. E. & O. E.	Revision A 20/02/2007

## ABS Enclosure

### PP25N

Case type PP25N is moulded in black (N), Anti reflective finish with a wall thickness of 2mm. The case is held together by a single self tapping screw. Shuttered ventilation on the top surface, fitted with internal PCB mounts.

### Dimensions



Ref No.	Description
PP25N	ABS Enclosure 90 x 56 x 23mm - Black