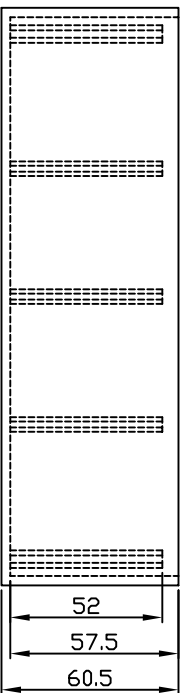
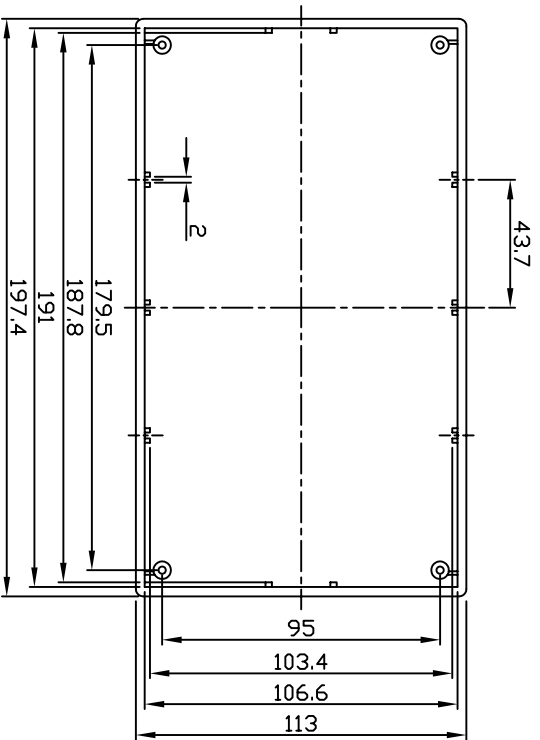


ABS Boxes

Order code	Manufacturer code	Description
30-3366	G1025B	ABS BOX MULTIPURPOSE 197.4X113X 63 (RC)

ABS Boxes	Page 1 of 2
The enclosed information is believed to be correct, Information may change without notice due to product improvement. Users should ensure that the product is suitable for their use. E. & O. E.	Revision A 20/02/2007

G1025B



宣文實業有限公司
GAINTA INDUSTRIES LTD.

設計
BY JESY

繪圖
BY JPKY

核圖
BY CKY

比例
SCALE

日期
DATE

材質
MATERIAL
ABS

圖名
TITLE
BOTTOM

圖號
DWG NO.
G1025 BASE

圖號	REVISED	說明	DESCRIPTION