

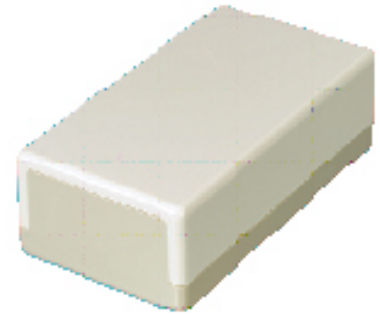
## ABS Boxes

Order code	Manufacturer code	Description
30-3478	UNI30066	150X80X50 UNIVERSAL ABS CASE
30-3480	n/a	150X80X50 CASE WITH TILT FOOT

ABS Boxes	Page 1 of 3
The enclosed information is believed to be correct, Information may change 'without notice' due to product improvement. Users should ensure that the product is suitable for their use. E. & O. E.	Revision A 04/07/2003

# Cases

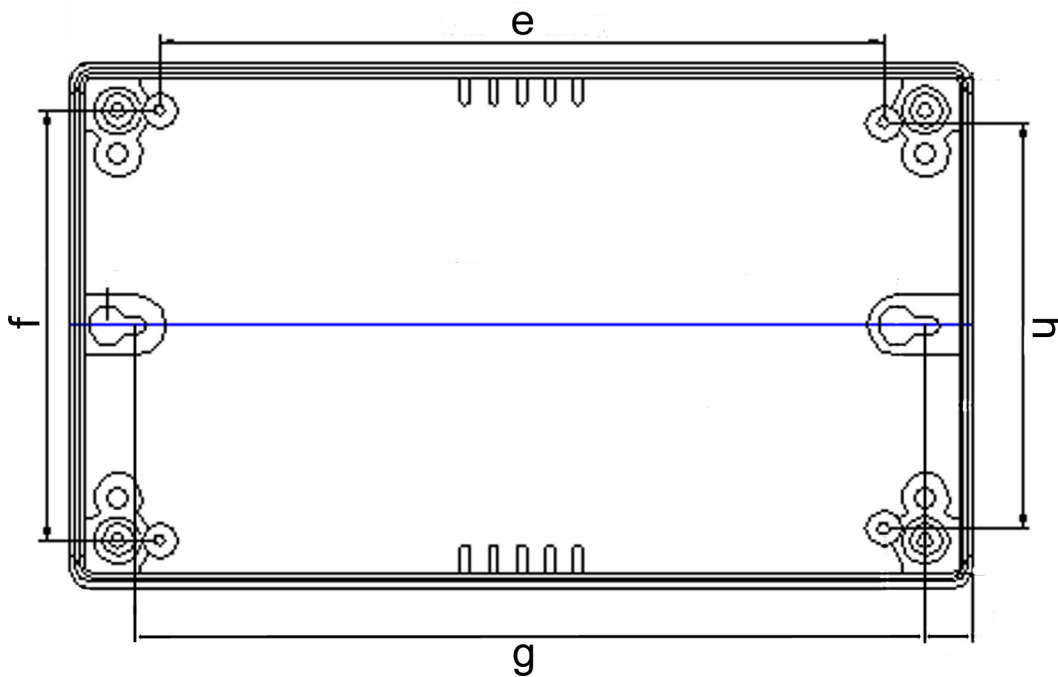
## Universal ABS case



Two versatile, two tone, grey, two piece ABS cases, with PCB mounting bosses moulded into the base of the case for easy PCB fixing. Four M3 screws secure the two halves of the case. The ABS material has a UL flammability rating of 94V-HB. Order code 30-3480, is the same as 30-3478, but also has a tilt bar/handle.

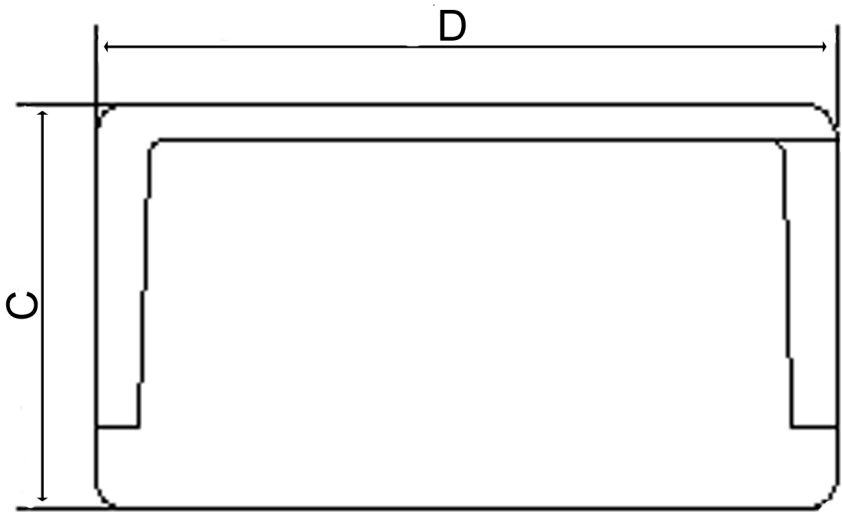
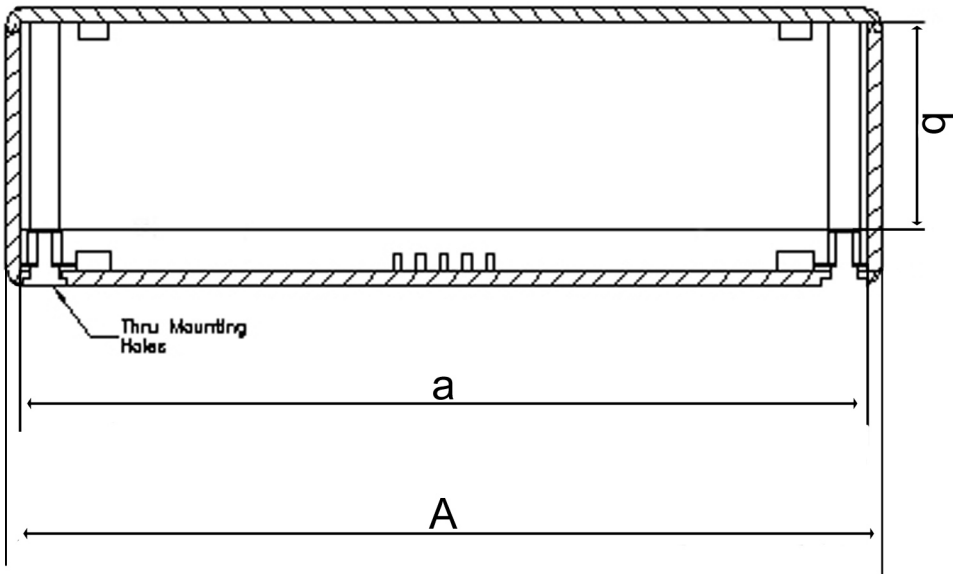
### Dimensions:

Label	Dimension (mm)
A	149.8
a	144
b	39.5
C	49.7
D	79.7
e	116
f	63
g	127
h	58
l	30
J	62



Bottom-Inside View

Side View/Section



Tilt bar/handle option (30-3480):

