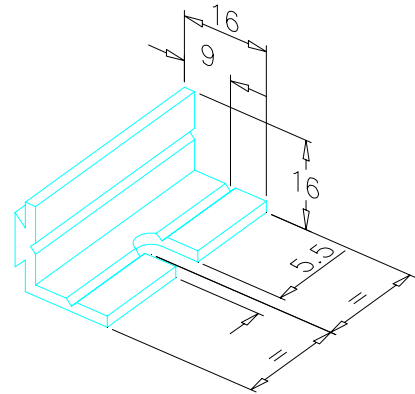


Linc-Lug

Aluminium extruded mounting bracket for fixing E-Case housings to walls, panels, vehicle bulkheads etc. Linc-Lug slides into any external dovetail feature on E-Case housings and is retained by the end plates. The silver lugs are strip silver anodized and are used with the E-Case range which is anodized in the same way. The black lugs (special order) are individually black anodized like special order black E-Case boxes.

Order Codes:

length	black	silver
40mm	LSB 40	LSS 40
80mm	LSB 80	LSS 80



Application Information: Linc -Lug is secured as follows:

either

1. For cases length 40mm and 80mm, use Linc-Lugs of appropriate length, retain with the end plates.
2. For cases length 160mm, use more than one Linc-Lug in each slot, retain with the end plates

or

Drill a hole 2.6mm diameter through the dovetail on the Linc-Lug using the V-groove as a drill start. Slide the drilled lug to the desired position along a selected enclosure. Drive a No.4 x 1/4" posi-pan type B self-tapping screw into the drilled hole to securely wedge the Linc-Lug in the dovetail slot.

Non-Standard Lengths: Available, but not with U-shaped slot. Ask for a quotation.

Material: Aluminium 6063 T6 (HE9).

Finish: LSS 40, LSS 80 - Silver anodized 5 µm thickness. (Cut ends and inside of U-shaped slot are not anodized.) LSB 40, LSB 80 - Black anodized 20µm.

Weight: LSS40, LSB 40 - 7.5g. LSS 80, LSB 80 - 15g

Extrusion Perimeter: 70mm

Product and data subject to change without notice. User knows application and must determine fitness for purpose and appropriateness of advice verbal or written. See terms and conditions of sale.

© Evatron Enclosures Ltd. 2001,2002.