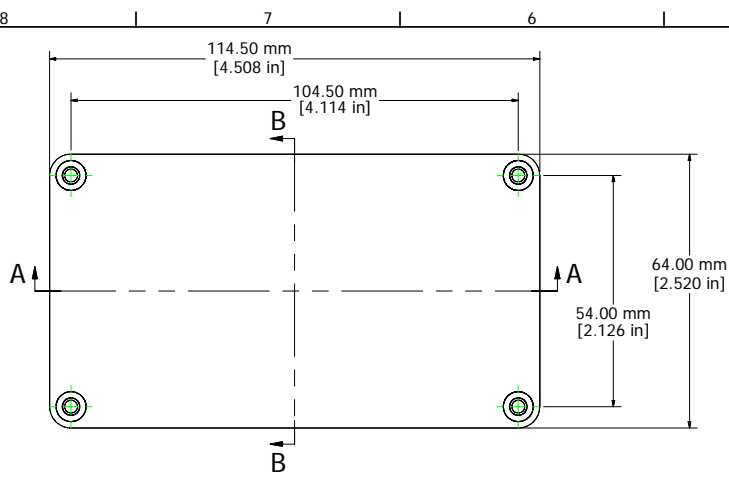
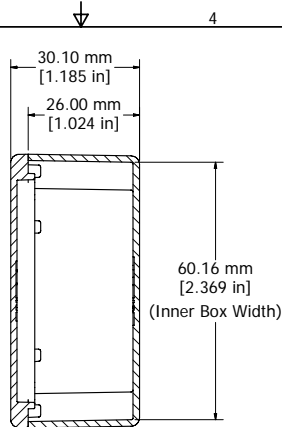


| Order code | Manufacturer code | Description |
|-------------------|--------------------------|--------------------|
| 30-3783 | n/a | n/a |

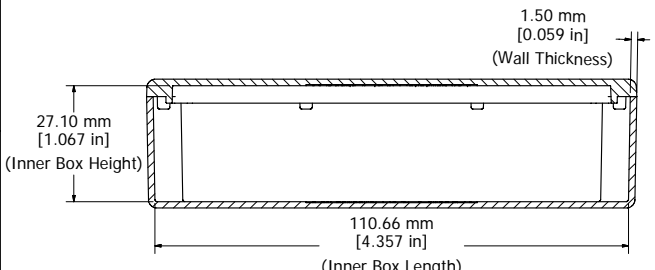
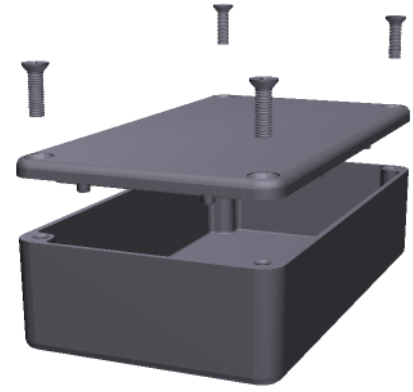
| | |
|--------------------------------------------------------------------------------------------------------------------------------------------------------------------------------------------------|--------------------------|
| | Page 1 of 2 |
| The enclosed information is believed to be correct, Information may change without notice due to product improvement. Users should ensure that the product is suitable for their use. E. & O. E. | Revision A 20/02/2007 |



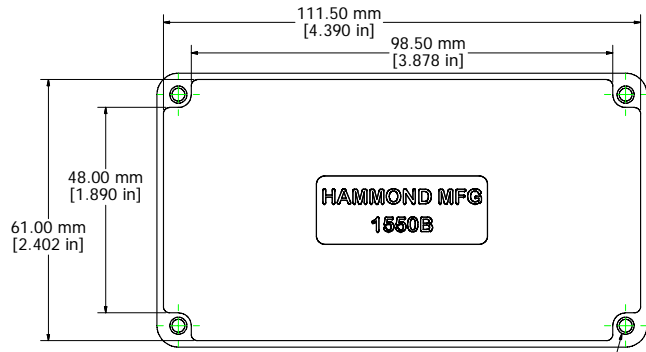
Top View of Assembly



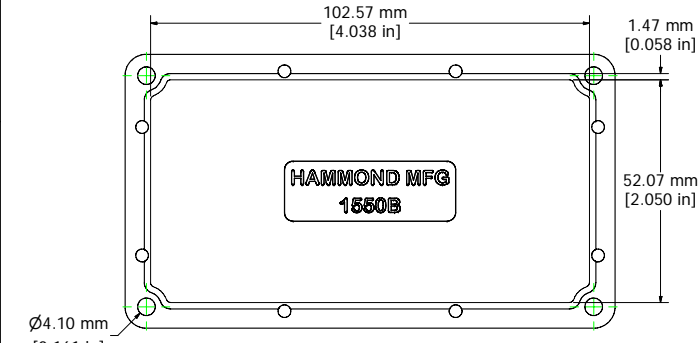
SECTION B-B
End View of Assembly



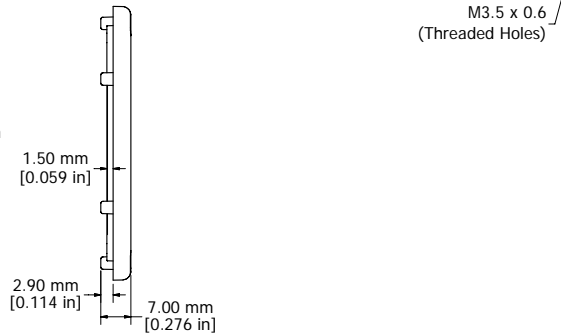
SECTION A-A
Side View of Assembly



Top View Looking Inside Box



View Looking Inside Lid



Enclosures can be Factory Modified (Milling, Drilling, Printing etc.)
Contact Factory mjm@hammondmfg.com for quotes
Solid models of this enclosure available in STEP or IGES.

| NOTE | |
|-----------------------------------------------------------------------------------------------------------------------------------------------------------------------------|-----------|
| Purchased assembly includes box, lid, and 4 cover screws. Box and lid are made from Diecast Aluminum Alloy. EVA Foam Gasket supplied with Liquid Resistant Enclosures | |
| PART NUMBERS | |
| 1550B Enclosure | |
| Unfinished | 1550B |
| Black Textured Polyester Powder Paint | 1550BBK |
| 1550WB Liquid Resistant Enclosure | |
| Unfinished | 1550WB |
| Black Textured Polyester Powder Paint | 1550WBK |
| Accessories | |
| Recommended Torque: 75 ozf.in / 55 cN.m | |
| Unfinished Cover Screws (Pkg 100) [M3.5 x 0.6 18-8 SS] | 1550MS100 |

HAMMOND MANUFACTURING™
1550B
www.hammondmfg.com