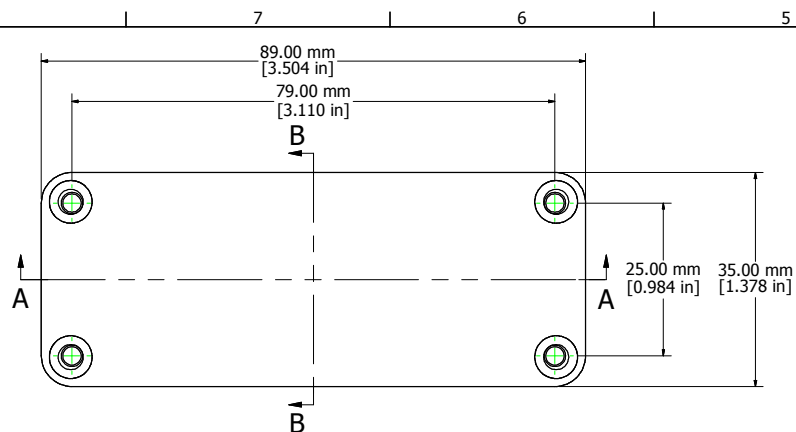
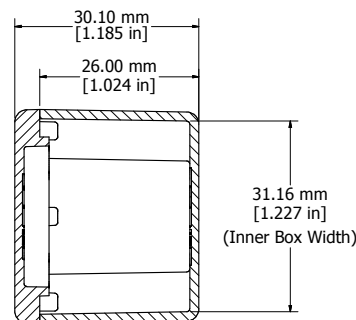


Order code	Manufacturer code	Description
30-3788	n/a	n/a

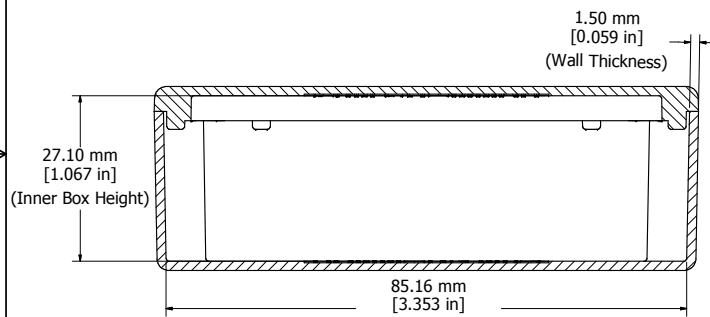
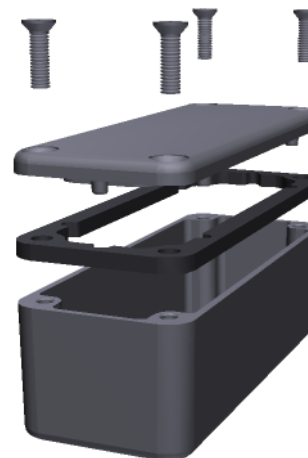
	Page 1 of 2
The enclosed information is believed to be correct, Information may change without notice due to product improvement. Users should ensure that the product is suitable for their use. E. & O. E.	Revision A 20/02/2007



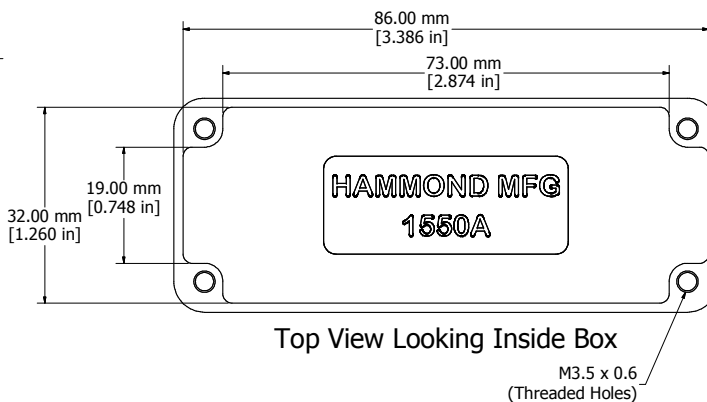
Top View of Assembly



SECTION B-B
End View of Assembly



SECTION A-A
Side View of Assembly

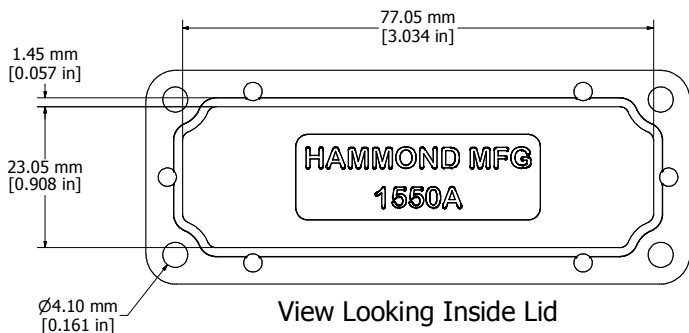


Top View Looking Inside Box

Enclosures can be Factory Modified (Milling, Drilling, Printing etc.)
Contact Factory mjm@hammondmfg.com for quotes
Solid models of this enclosure available in STEP or IGES.

NOTE	
Purchased assembly includes box, lid, and 4 cover screws.	
Box and lid are made from Diecast Aluminum Alloy.	
EVA Foam Gasket supplied with Liquid Resistant Enclosures	

PART NUMBERS	
1550A Enclosure	
Unfinished	1550A
Black Textured Polyester Powder Paint	1550ABK
1550WA Liquid Resistant Enclosure	
Unfinished	1550WA
Black Textured Polyester Powder Paint	1550WABK
Accessories	
Recommended Torque: 75 ozf.in / 55 cN.m	
Unfinished Cover Screws (Pkg 100)	1550MS100
IM3.5 x 0.6 18-8 SS1	



View Looking Inside Lid

