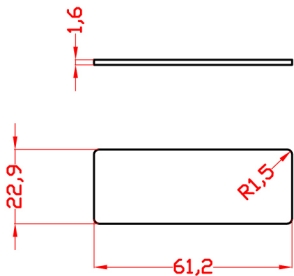
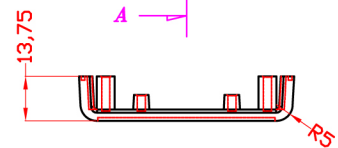
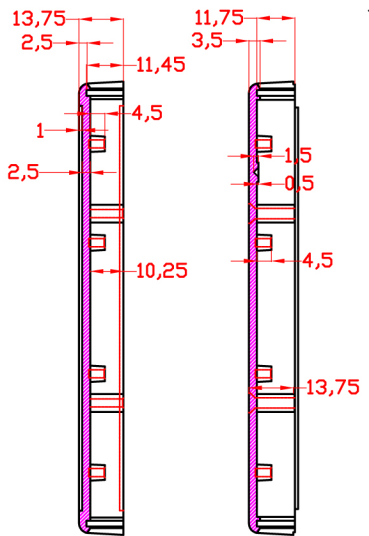
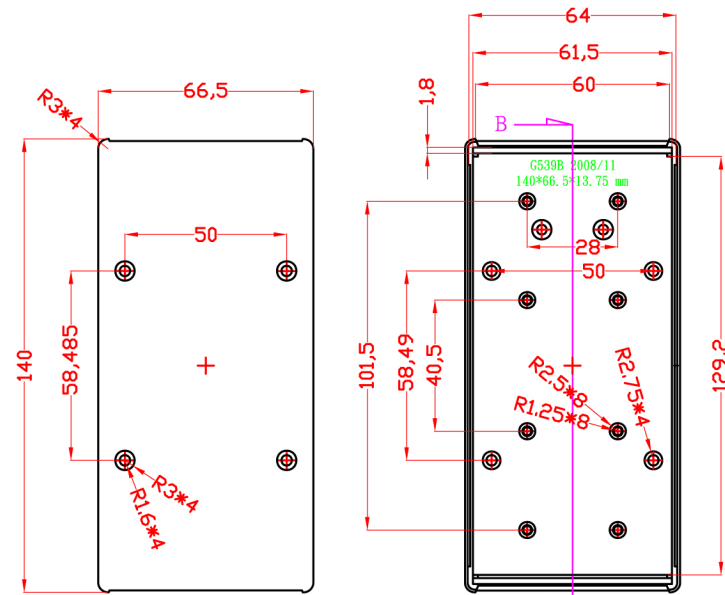
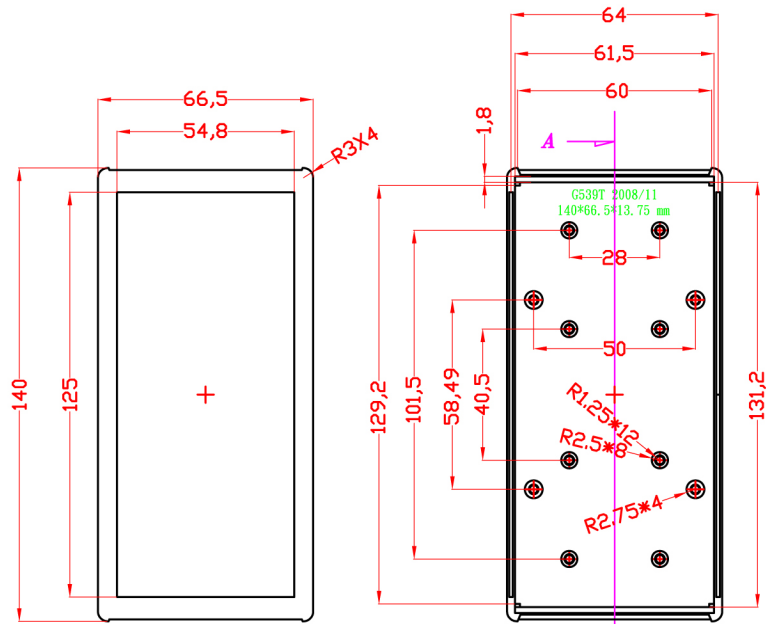
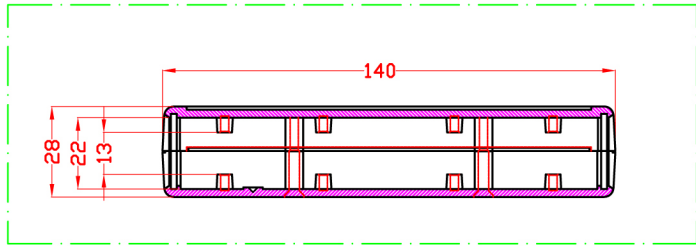


G539B-2 G539G-2



PANEL-"\$"



| According to ISO 2768-m | |
|-------------------------|-----------|
| Measuring DIM=L | Tolerance |
| 0.5<L≤3.0 mm | ±0.1 mm |
| 3.0<L≤6.0 mm | ±0.1 mm |
| 6.0<L≤30.0 mm | ±0.2 mm |
| 30.0<L≤120.0 mm | ±0.3 mm |
| 120.0<L≤400.0 mm | ±0.5 mm |
| 400.0<L≤1000.0 mm | ±0.8 mm |

| ITEM NO | DESCRIPTION |
|-----------|---|
| G539B-2\$ | BLACK(G539T+G539B)*1+BLACK(PANEL-"\$")*2+M3*21 mm BLACK SCREWS *4 |
| G539G-2\$ | GRAY(G539T+G539B)*1+GRAY(PANEL-"\$")*2+M3*21 mm BLACK SCREWS *4 |

| | | | | | | | | | |
|--|--|--|--|--|-----|-----------------|--|--|--|
| | | | | | | TITLE: | | | |
| | | | | | ABS | G539B-2 G539G-2 | | | |