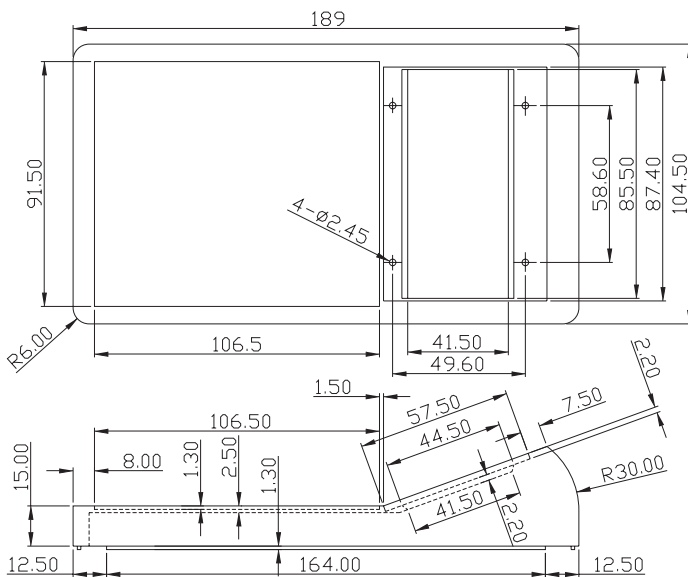


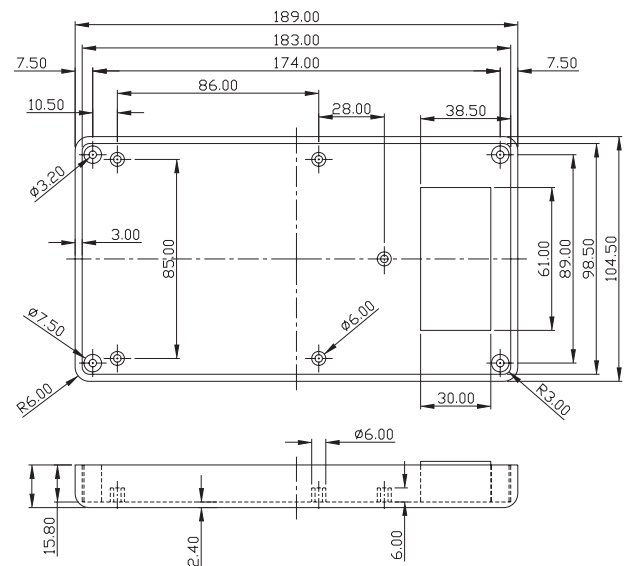
Features:

Grey textured ABS enclosure with sloping panel, ideal for test instruments, computer accessories, remote actuators and controls:

- 189mm length, 104.5mm width, height slopes from 33.2 to 59mm
- Supplied with a windowed panel to accept displays and a solid panel
- Base fitted with bosses for easy fitting of PCBs



TOP



BASE