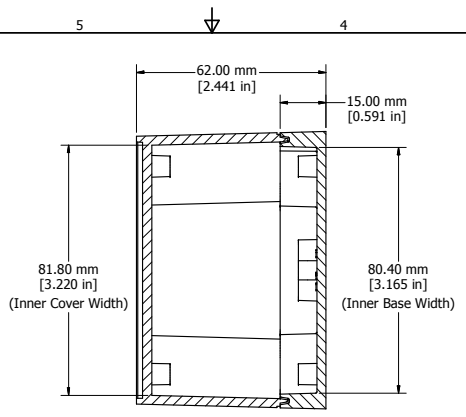
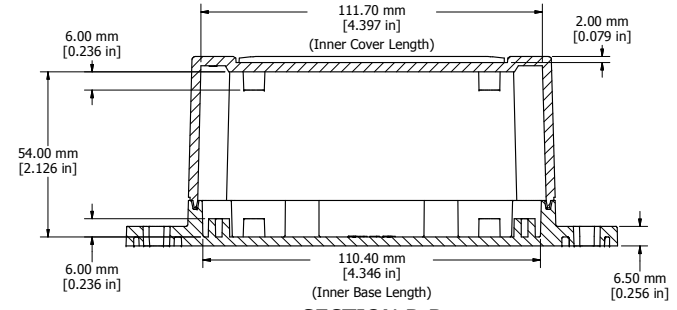
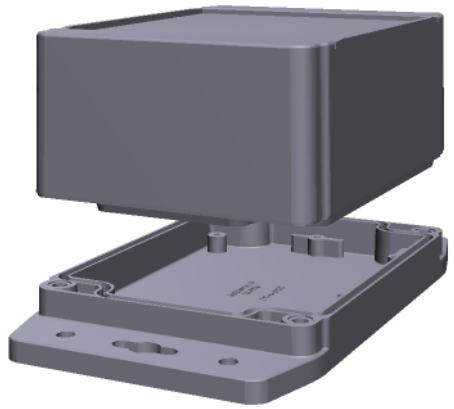


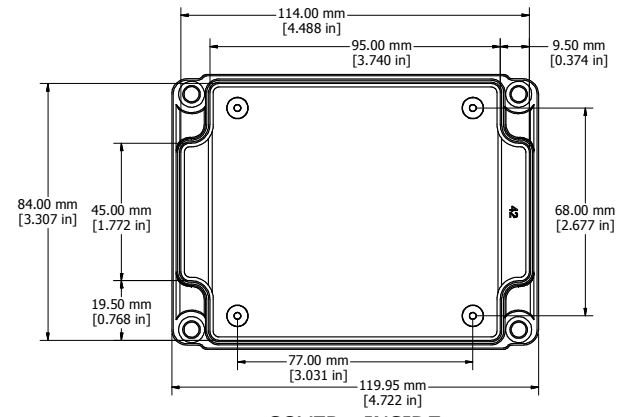
**A**  
**ASSEMBLY**



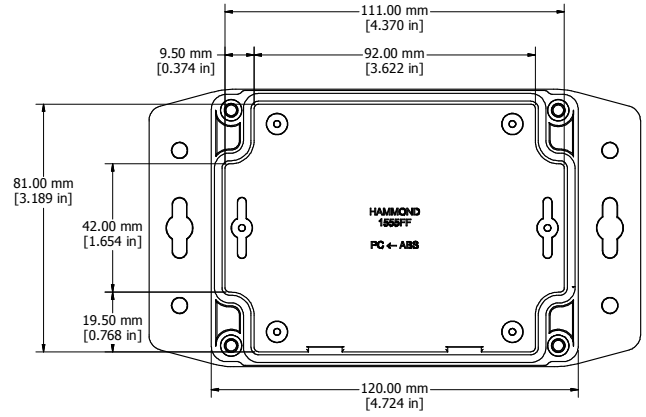
**SECTION A-A**  
**END VIEW OF ASSEMBLY**



**SECTION B-B**  
**SIDE VIEW OF ASSEMBLY**



**COVER - INSIDE**



**BASE - INSIDE**

Enclosures can be Factory Modified ( Milling, Drilling, Printing etc. )  
Solid models of this enclosure available in STEP or IGES.  
Contact Factory [mjm@hammondmg.com](mailto:mjm@hammondmg.com)

<b>NOTE</b>	
Purchased assembly includes Box, Lid, 4 x M4 x 20 SS Cover Screws & Preformed Silicone Gasket	
Cover screws should be torqued to 2.5 lbf-in (30 cN-m)	

<b>1555FF42</b>	
<b>1555FF42 Flanged Enclosure</b>	
General Purpose ABS RAL-7035 UL94-HB	1555FF42GY
Poycarbonate RAL-7035 UL94 - V0 / 5VA @ 3mm	1555F2F42GY
<b>ACCESSORIES</b>	
Heavy Duty 16 Gauge Galvanized Steel Panels	1555FFPL
Steel Panel / P.C. Board Self Tapping Screw [#6 X 1/4" (6.4mm) Nickel Plated]	1598ATS100
Cover Screws (Pkg 4)	SC1554
[M4 X 20mm Type 304 Stainless Steel]	

