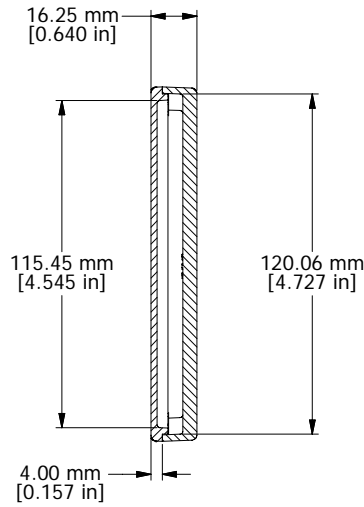
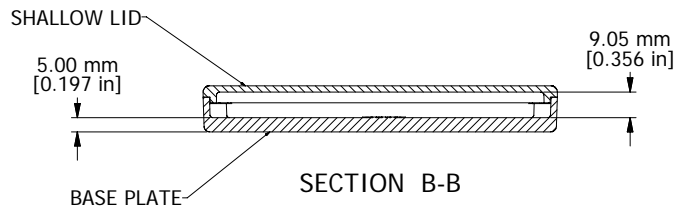
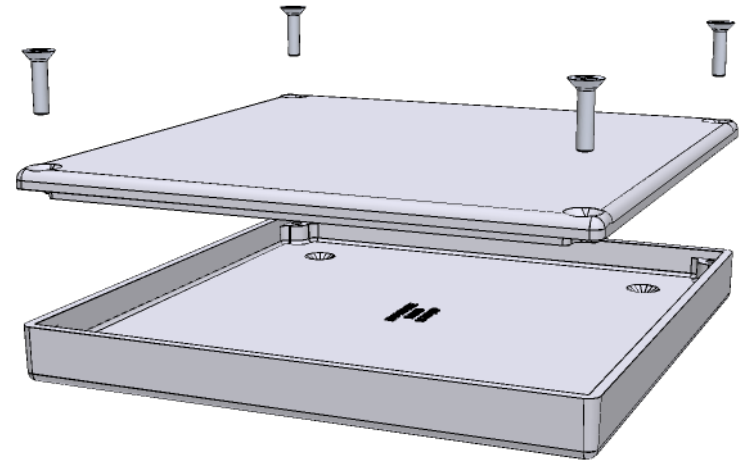


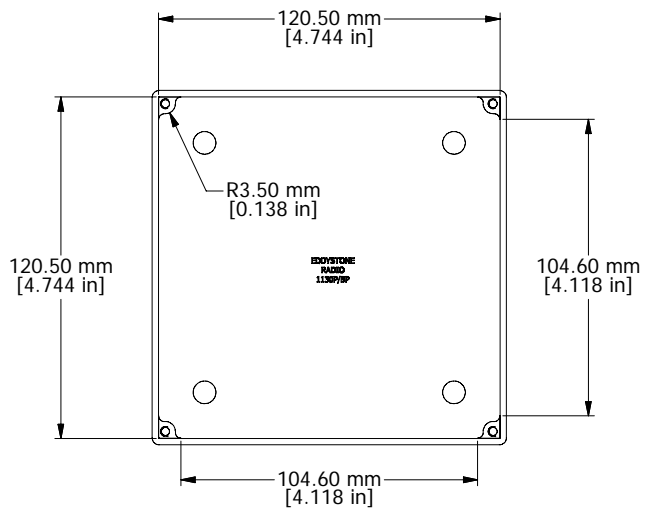
ASSEMBLY



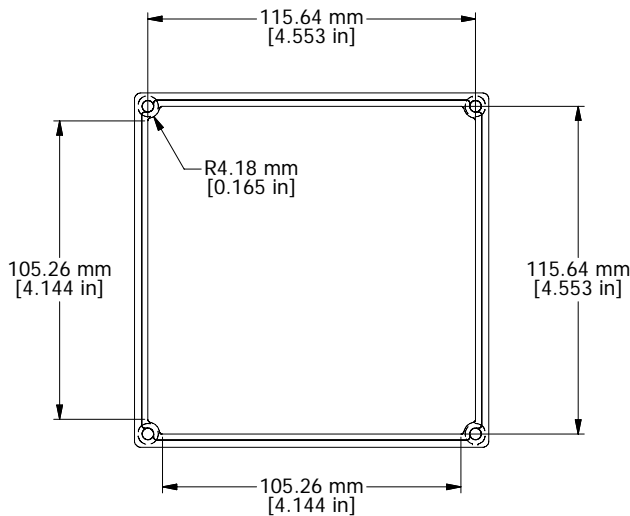
SECTION A-A



SECTION B-B



BASE PLATE - INSIDE



SHALLOW LID - INSIDE

Enclosures can be Factory Modified ( Milling, Drilling, Printing etc. )  
 Solid models of this enclosure available in STEP or IGES.  
 Contact Factory [jelkins@hammond-electronics.co.uk](mailto:jelkins@hammond-electronics.co.uk)

NOTE	
Purchased assembly includes Shallow Lid, Base Plate and 4 cover screws.	

Eddystone 11130BPSLA	
PART INFORMATION	
Part Number:	11130BPSLA
Material:	LM2 / LM24 Diecast Aluminum Alloy
Cover Screw Type:	M3.5 x 10mm Countersunk (Screw Torque 75 oz f.in or 55 cN. m)



**HAMMOND**  
**MANUFACTURING™**

**11130BPSLA**

[www.hammondmfg.com](http://www.hammondmfg.com)