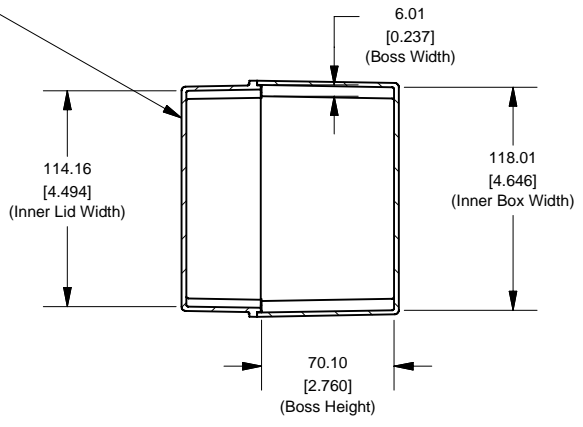
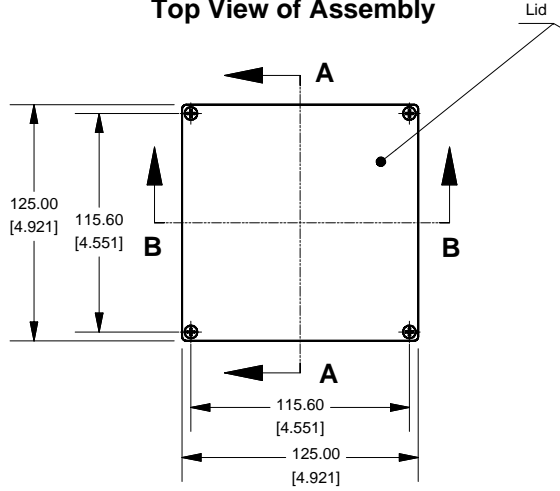


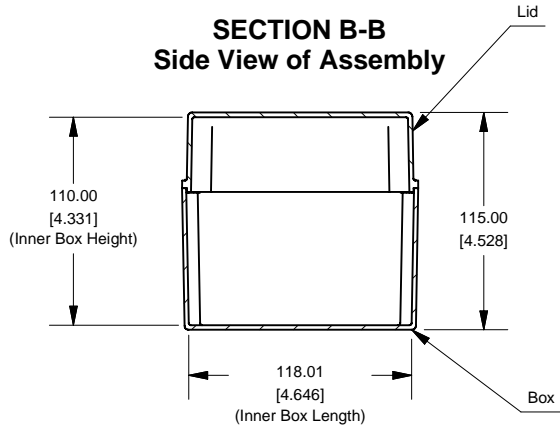
SECTION A-A End View of Assembly



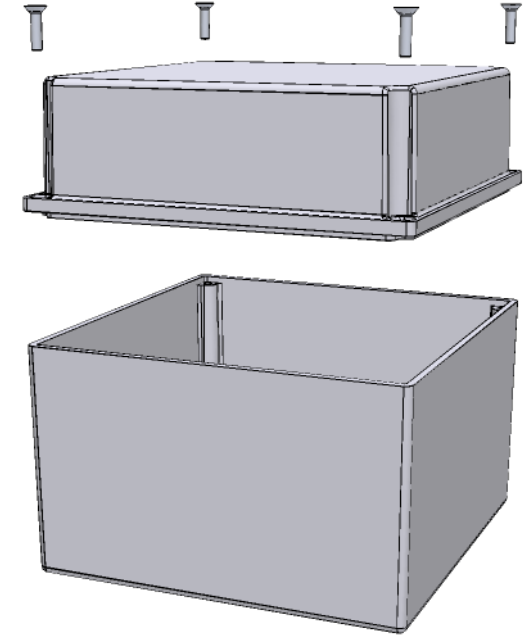
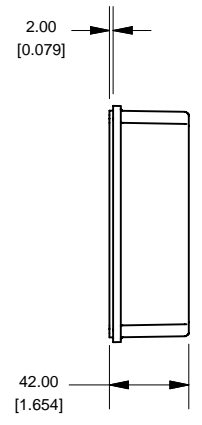
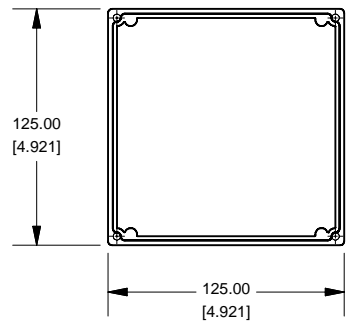
Top View of Assembly



SECTION B-B Side View of Assembly



Lid



Enclosures can be Factory Modified (Milling, Drilling, Printing etc.)
 Solid models of this enclosure available in STEP or IGES.
 Contact Factory jelkins@hammond-electronics.co.uk

| NOTE | |
|---|--|
| Purchased assembly includes Deep Lid, Box and 4 cover screws. | |
| Eddystone 11130PDLA | |
| PART INFORMATION | |
| Part Number: | 11130PDLA |
| Material: | LM2 / LM24 Diecast Aluminum Alloy |
| Cover Screw Type: | M3.5 x 10mm Countersunk (Screw Torque 75 oz f.in or 55 cN. M) |

**HAMMOND
MANUFACTURING™**

11130PDLA

www.hammondmfg.com