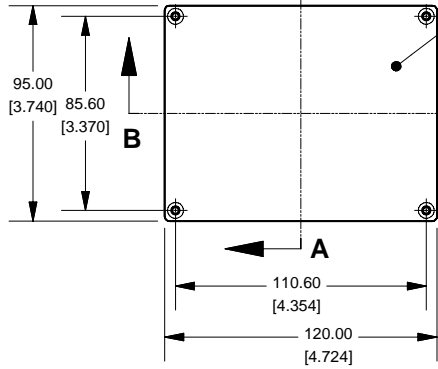
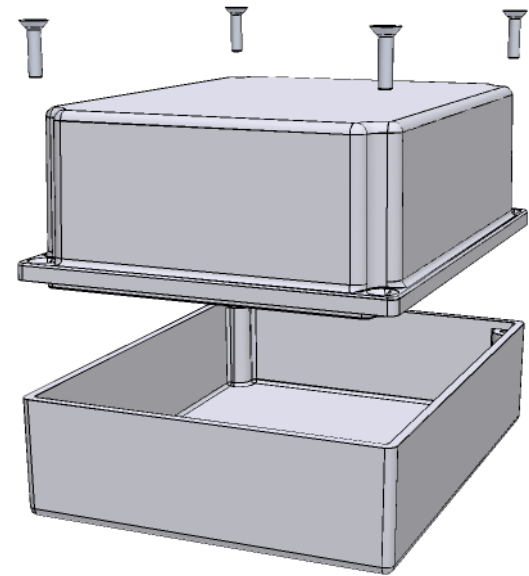
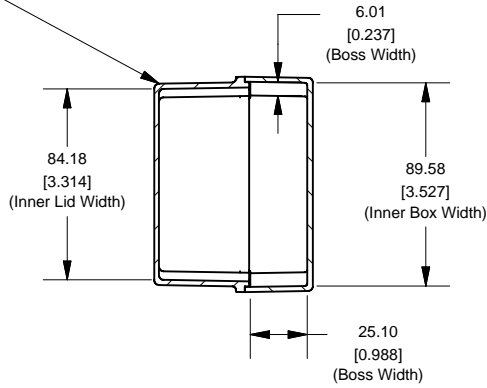


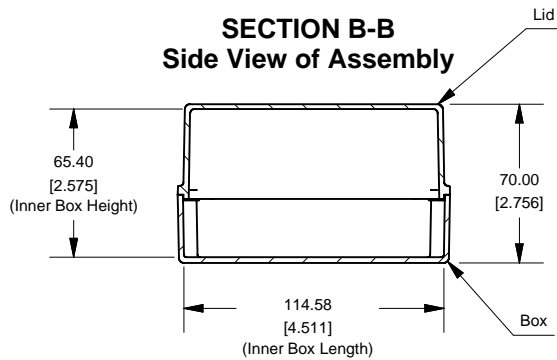
### Top View of Assembly



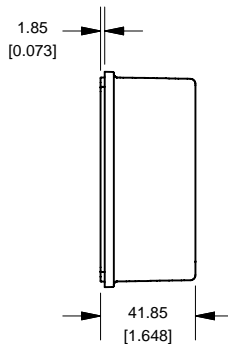
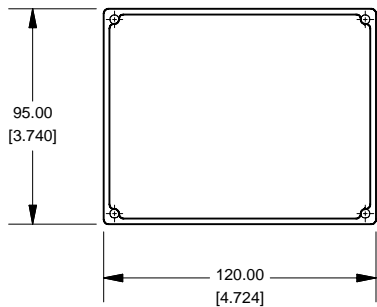
### SECTION A-A End View of Assembly



### SECTION B-B Side View of Assembly



### Lid



Enclosures can be Factory Modified ( Milling, Drilling, Printing etc. )  
 Solid models of this enclosure available in STEP or IGES.  
 Contact Factory [jelkins@hammond-electronics.co.uk](mailto:jelkins@hammond-electronics.co.uk)

NOTE	
Purchased assembly includes Deep Lid, Box and 4 cover screws.	

Eddystone 29830PDLA	
PART INFORMATION	
Part Number:	29830PDLA
Material:	LM2 / LM24 Diecast Aluminum Alloy
Cover Screw Type:	M3.5 x 10mm Countersunk (Screw Torque 75 oz f.in or 55 cN. m)

**HAMMOND  
MANUFACTURING™**

**29830PDLA**  
[www.hammondmfg.com](http://www.hammondmfg.com)