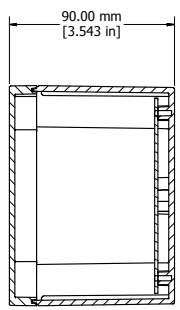

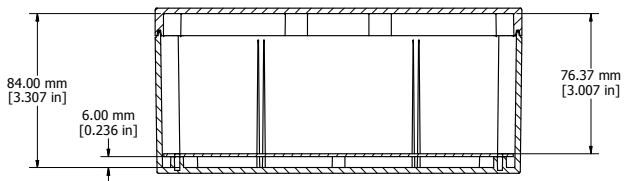
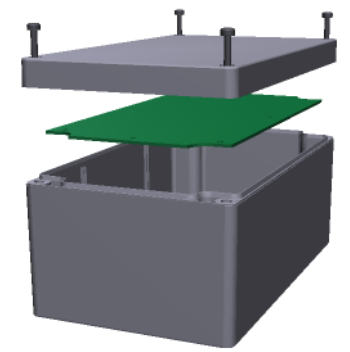


ASSEMBLY

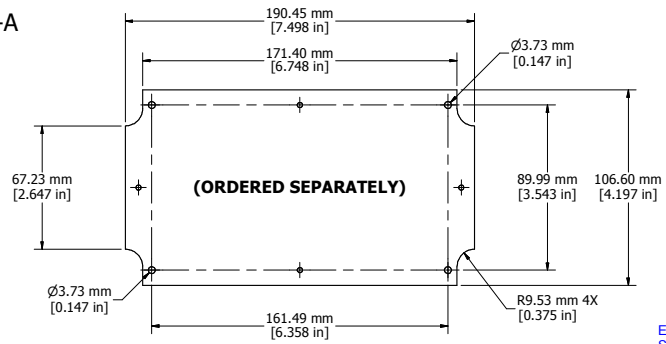


SECTION A-A

 LISTED
File #E65324
NEMA 4, 4X



SECTION B-B

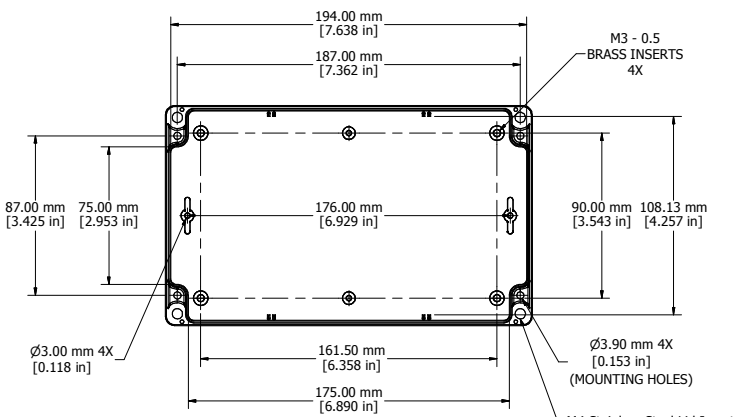


STEEL INNER PANEL

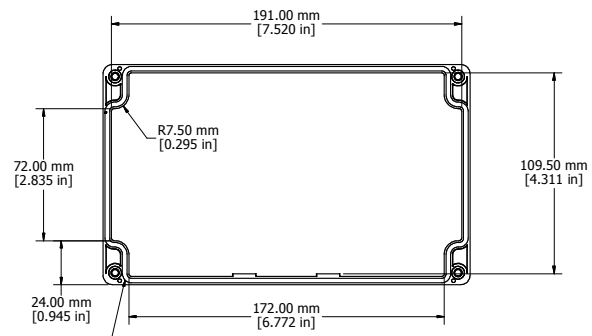
Enclosures can be Factory Modified (Milling, Drilling, Printing etc.)
Solid models of this enclosure available in STEP or IGES see Web.
Contact mjm@hammondmg.com for Quotes.

NOTE

Purchased assembly includes box, lid, and 4 cover screws	
Recommended Cover screw torque – 2.5 lbf-in (30 cN-m)	
Polycarbonate version is UL 508 approved Matl UL94 - V0 / 5VA @ 3mm	



BOX - INSIDE



LID - INSIDE

Poured Silicone Gasket
Loctite 5950 Material

1554U	
1554U Regular Enclosure	
General Purpose ABS RAL-7035	1554UGY
Polycarbonate RAL-7035	1554U2GY
1554U Clear / Smoke Lid Enclosure	
Polycarbonate Box / Clear Polycarbonate Lid	1554U2GYCL
Polycarbonate Box / Smoke Polycarbonate Lid	1554U2GYSL
ACCESSORIES	
Heavy Duty 16 Gauge Galvanized Steel Panels	1554UPL
Steel Panel / P.C. Board Machine Screw [M3 x 6mm Nickel Plated]	1591MM100
Steel Panel / P.C. Board Self Tapping Screw [#6 X 1/4" (6.4mm) Nickel Plated]	1598ATS100
Cover Screws (Pkg 4) [M4 X 20mm Type 304 Stainless Steel]	SC1554

