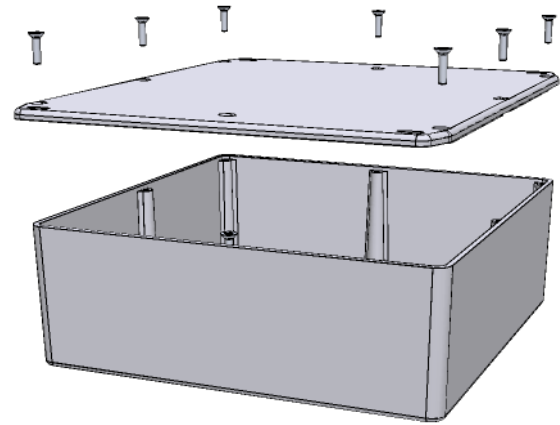
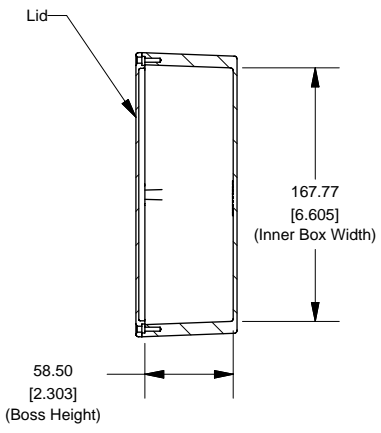
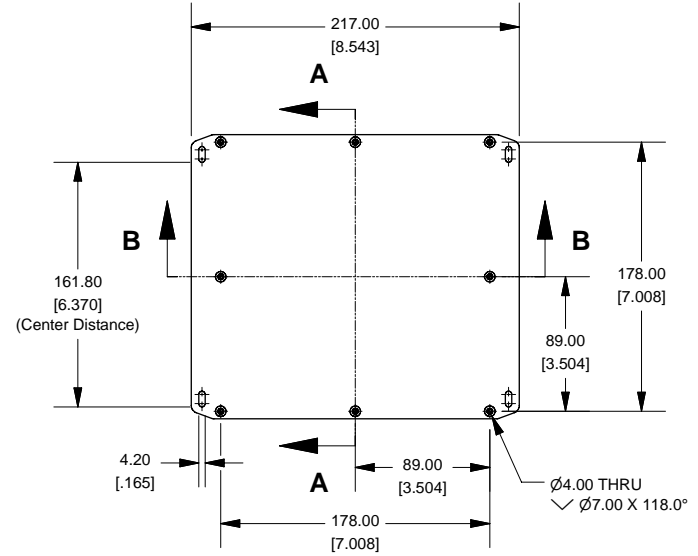


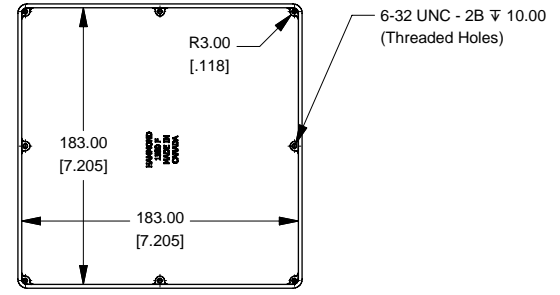
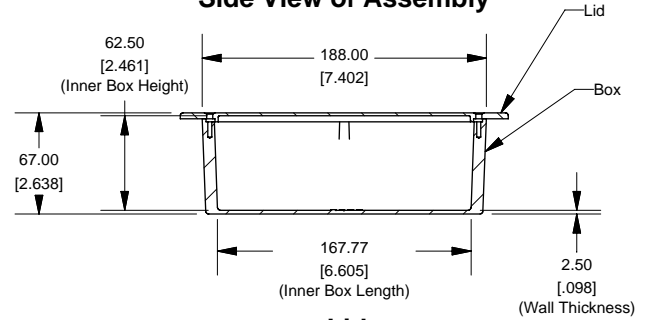
### Top View of Assembly

### SECTION A-A End View of Assembly



### SECTION B-B Side View of Assembly

### Top View Looking Inside Box



Enclosures can be Factory Modified ( Milling, Drilling, Printing etc.)  
 Contact Factory [mjm@hammondmfg.com](mailto:mjm@hammondmfg.com) for quotes  
 Solid models of this enclosure available in STEP or IGES.

PART NUMBERS	
<b>1590FFL Enclosure</b>	
Unfinished	1590FFL
Grey Textured Polyester Powder Paint - RAL 7038	1590FFLG
Black Textured Polyester Powder Paint - RAL 9011	1590FFLBK
<b>1590FFL Liquid Resistant Enclosure (Silicon Factory Installed Gasket)</b>	
Unfinished	1590WFFL
Black Textured Powder Paint	1590WFFLBK
ACCESSORIES	
<b>Recommended Torque: 75 ozf.in / 55 cN.m</b>	
Black Textured Cover Screws (Pkg 50) [6-32 x 1/2" SS Type 304]	1590WMS100BK
Unfinished Cover Screws (Pkg 100) [6-32 x 1/2" Nickel Plated Screws]	1590WMS100
Standard Cover Screws	
Unfinished Cover Screws (Pkg 100) [6-32 x 1/2" Nickel Plated Screws]	1590MS100
Black Textured Cover Screws (Pkg 50) [6-32 x 1/2" SS Type 304]	1590MS100BK

### Lid

### SECTION C-C Side of Slot

