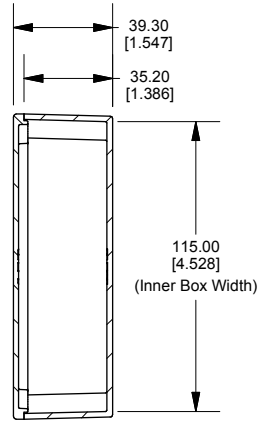
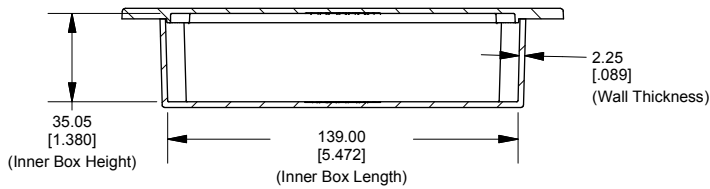
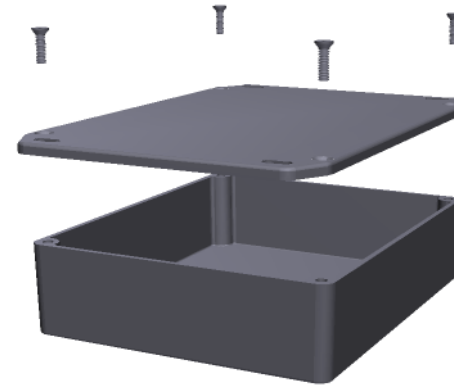


**ASSEMBLY**

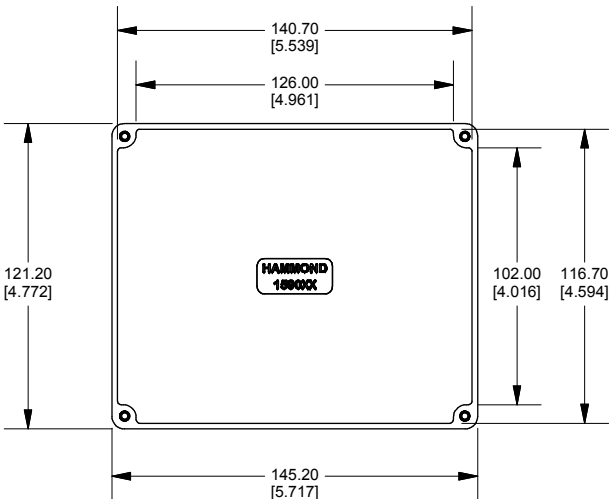


**SECTION A-A**

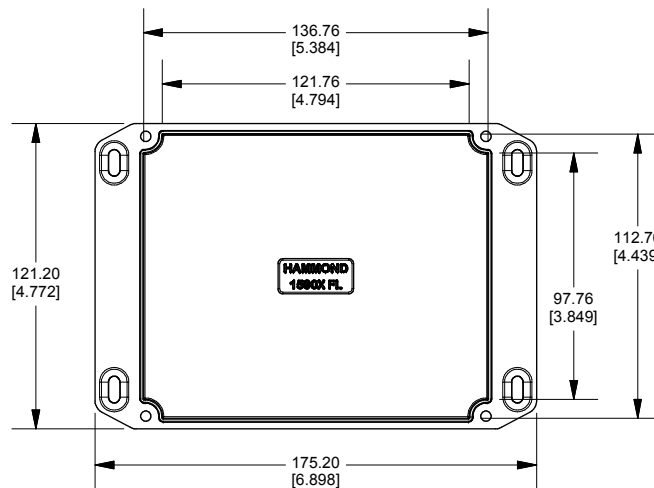


**SECTION B-B**

Enclosures can be Factory Modified ( Milling, Drilling, Printing etc.)  
 Contact Factory [mjm@hammondmfg.com](mailto:mjm@hammondmfg.com) for quotes  
 Solid models of this enclosure available in STEP or IGES.



**BOX - INSIDE**



NOTE	
Purchased assembly includes box, lid and 4 cover screws. Box and lid are made from Diecast Aluminum Alloy. Silicone Gasket Loctite #5950	
PART NUMBERS	
1590XXFL Enclosure	
Unfinished	1590XXFL
Grey Textured Polyester Powder Paint - RAL 7038	1590XXFLGY
Black Textured Polyester Powder Paint - RAL 9011	1590XXFLBK
1590XXFL Liquid Resistant Enclosure (Silicon Factory Installed Gasket)	
Unfinished	1590WXXFL
Black Textured Powder Paint	1590WXXFLBK
ACCESSORIES	
Recommended Torque: 75 ozf.in / 55 cN.m	
Black Textured Cover Screws (Pkg 100) [6-32 x 1/2" SS Type 304]	1590WMS100BK
Unfinished Cover Screws (Pkg 100) [6-32 x 1/2" SS Type 304]	1590WMS100
Standard Cover Screws	
Unfinished Cover Screws (Pkg 100) [6-32 x 1/2" Nickel Plated Screws]	1590MS100
Black Textured Cover Screws (Pkg 50) [6-32 x 1/2" Nickel Plated Screws]	1590MS50BK

