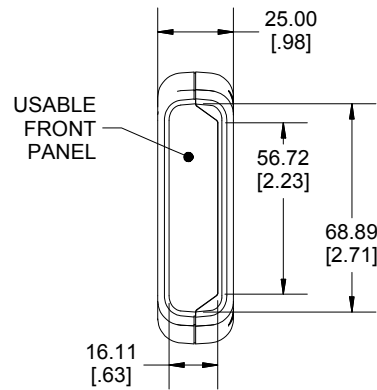
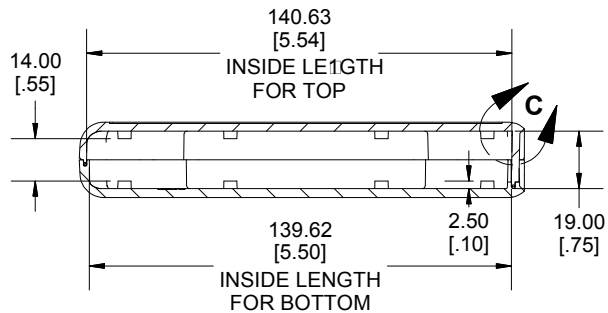


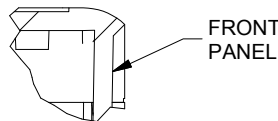
**TOP VIEW**



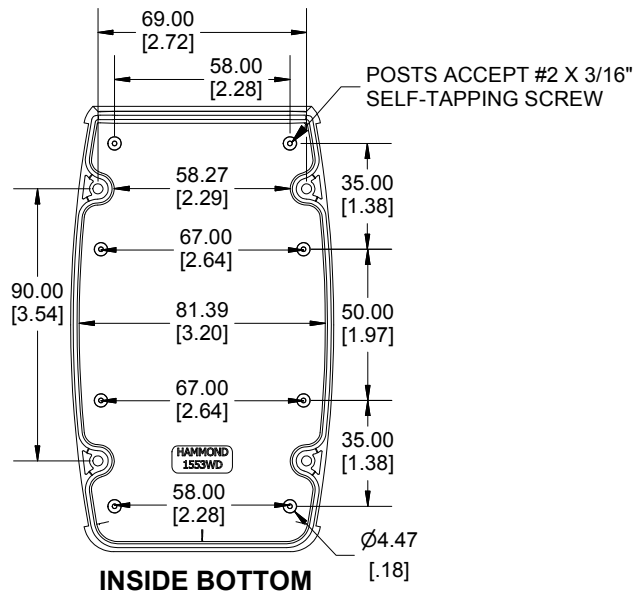
**FRONT VIEW**



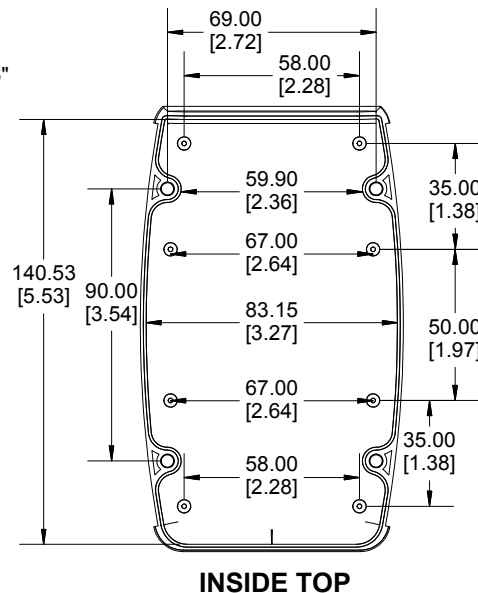
**SECTION B-B  
SIDE VIEW**



**DETAIL C  
SCALE 1 : 1**



**INSIDE BOTTOM**



**INSIDE TOP**

Enclosures can be Factory Modified ( Milling, Drilling, Printing etc.)  
Contact Factory [mjm@hammondmfg.com](mailto:mjm@hammondmfg.com) for quotes  
Solid models of this enclosure available in STEP or IGES.

<b>NOTE</b>	
Enclosure made from FR ABS (UL 94-V0) plastic.	
Purchased assembly includes Top, Bottom, Pre-Installed Silicone Gasket, and 4 Cover Screws. M3 Brass Inserts are Pre-Installed.	
<b>Recommended Cover screw torque -- 2.5 lbf-in (30 cN-m)</b>	

<b>PART NUMBER</b>	
<b>1553WD Regular Enclosure</b>	
Black Enclosure/Grey Over-mold	1553WDBK
Grey Enclosure/Grey Over-mold	1553WDGY
<b>ACCESSORIES</b>	
Silicone Pre-formed Gaskets (Pkg 2)	1553WDGASKET
Stainless Steel Cover screw (Pkg 100) [M3-0.5 X 18mm]	SC1553WB100BK (Black)
P.C. Board Self Tapping Screw [#2 X 3/16" (6.4mm) Plated]	1551ATS100 (Pkg 100)

**Dimensions:**  
mm  
[inches]

**1553WD**  
[www.hammondmfg.com](http://www.hammondmfg.com)