

Natural Rubber Equipment Feet



DESCRIPTION

A range of round self-adhesive protective feet.

DISTINCTIVE FEATURES

- Range of sizes
- Quick and simple to fit
- Protects against scratching
- Helps prevent slipping and sliding
- Absorb shock and vibration
- Protects surfaces and equipment
- Create gap for heat dissipation
- Supplied in sheets
- Flat top type

APPLICATIONS

Ideal for use with a wide range of products and applications, including attaching to electrical & electronic products to prevent or reduce vibration.

Rubber

Round

SB6001





GENERAL SPECIFICATION

Type	Self-adhesive flat round rubber
Rohs Complaint	Yes



MATERIALS

Material	Natural rubber grade SB6001
Adhesive tape	Double coated non-woven
Colour	Black



CERTIFICATION AND STANDARDS

ASTN D-2240	ASTM D412
IEC 62321: 2008	



ENVIRONMENTAL/OPERATING SPECIFICATION

SB6001 grade rubber physical properties		
Properties	Test method	
Test conditions	Sheet Cured @ 170°C x 5 minutes	
Hardness (Shore A)	ASTM D412	65
Tensile strength (Kg/cm ²)	ASTM D2240	86
Elongation (%)	ASTM D412	450
Shelf-life - 12 months when stored in original packaging at room temperature		

Exposure to the Environment. These feet are intended for interior applications where physical properties will remain unchanged. When used externally for extended periods, some discolouration as well as loss of adhesion may occur.

Pressure Sensitive Adhesive Data

A double coated pressure sensitive adhesive tape. High adhesion acrylic pressure sensitive adhesive is coated on both sides of flexible non-woven film. High adhesion acrylic pressure sensitive adhesive has good bond strength on many types of substrate including low surface energy plastics on which most acrylic adhesive can not adhere well. Initial tack of this adhesive is not so effected by temperature change and good tack even at cold environment. Soft acrylic adhesive can penetrate rough surface and show good bonding. Paper liner is chosen to provide high suitability to converting processes such as die cutting.

Product Construction	
Acrylic adhesive	Tape thickness: 0.15mm
Non-woven cellulose	
Acrylic adhesive	
Release liner, white paper	Liner thickness: 0.12mm
Shelf-life - 12 months when stored in original packaging at room temperature	

Peel strength (N/cm)		
Surface material	Test method	Pressure Sensitive Adhesive Data
Stainless steel	180 peel	5.9
Stainless steel	90 peel	4.4
Aluminium	90 peel	5
Acrylic	90 peel	5.5
Polyethylene	90 peel	2.2
Polypropylene	90 peel	2.8
ABS	90 peel	6.6
Polycarbonate	90 peel	5.1
Poly Vinyl Chloride	90 peel	7.8
Backside substrate: 1mil thick polyester film, Sample width: 25mm, Pressure: 2kg rubber roller once for each direction Dwell temp: room temperature (23°C) for 20-40min., Peel speed: 300mm/min		

Dynamic shear strength (N/cm ²)					
Test temp ©	5	23	50	75	100
Value	181	92	44	21	11
Substrate: SS304BA, Sample size: 25mmX25mm, Pressure: 5kg rubber roller once for each direction Dwell temp: room temperature (23°C) for 24hrs., Peel speed: 300mm/min.					

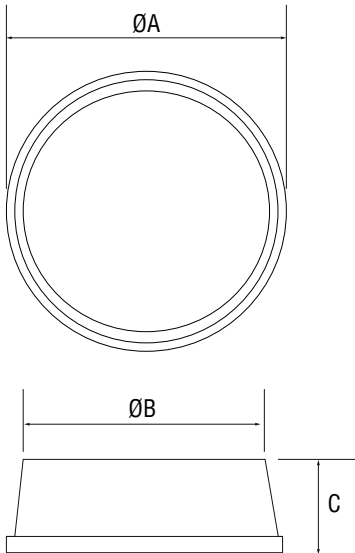
Holding power (drop time, min)		
Test temp ©	40	80
Value	34	9
Substrate: SS304BA, Sample size: 25mmX25mm, Pressure: 5kg rubber roller once for each direction Dwell temp: room temperature (23°C) for 24hrs., Weight: 2kg		

It is important to remember, that as with any self adhesive product, the surface to which they are being applied must be clean, dry and free from dust and dirt. Therefore, to gain maximum adhesion, clean the surface with low strength solvent and allow to dry thoroughly before use.



DIMENSIONS/DRAWINGS

Units mm - unless stated otherwise



PART NUMBER TABLE

Part Number	ØA	ØB	C	Sheet Quantity	UNSPSC code	EAN	Country of origin
31-0034	10.5	10.0	5.0	100	30161809	5053556003709	Taiwan
31-0035	13.0	12.2	4.5	80	30161809	5053556003716	Taiwan
31-0036	19.8	18.00	5.0	36	30161809	5053556003723	Taiwan

R-TECH

Tried & trusted technology

Important Notice: This data sheet and its contents (the "Information") belong to Rapid Electronics Limited or are licensed to it. No licence is granted for the use of it other than for information purposes in connection with the products to which it relates. No licence of any intellectual property rights is granted. The Information is subject to change without notice and replaces all data sheets previously supplied. The Information supplied is believed to be accurate but Rapid Electronics Limited assumes no responsibility for its accuracy or completeness, any error in or omission from it or for any use made of it. Users of this data sheet should check for themselves the Information and the suitability of the products for their purpose and not make any assumptions based on information included or omitted. Liability for loss or damage resulting from any reliance on the Information or use of it (including liability resulting from negligence or where Rapid Electronics Limited were aware of the possibility of such loss or damage arising) is excluded. This will not operate to limit or restrict Rapid Electronics Limited's liability for death or personal injury resulting from its negligence.