

Round Black Natural Rubber Cabinet Feet



DESCRIPTION

Screw fixed cabinet feet made from moulded natural rubber.

DISTINCTIVE FEATURES

- Quick and simple to fit
- Protects against scratching
- Helps prevent slipping and sliding
- Absorb shock and vibration
- Protects surfaces and equipment
- Create gap for heat dissipation
- Screw fixing
- Metal washer in moulding prevents screw head pulling through foot

APPLICATIONS

Ideal for use with a wide range of products and applications, including instrument cases & electrical & electronic products to prevent or reduce vibration.

Rubber

Round

SB6001

Screw

16mm





GENERAL SPECIFICATION

Type	Screw fixed round rubber
Rohs Complaint	Yes



MATERIALS

Material	Natural rubber grade SB6001
Colour	Black



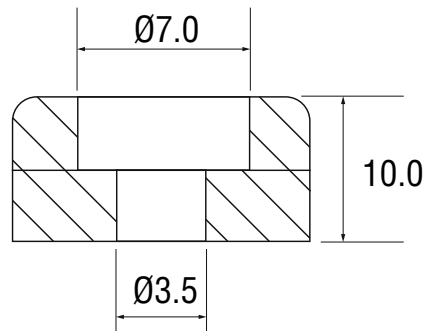
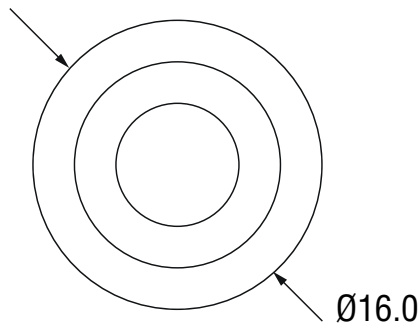
CERTIFICATION AND STANDARDS

ASTN D-2240	ASTM D412
IEC 62321: 2008	



DIMENSIONS/DRAWINGS

Units	mm - unless stated otherwise
-------	------------------------------



PART NUMBER TABLE

Part Number	UNSPSC code	EAN	Country of origin
31-0041	30161809	5053556003778	Taiwan



Tried & trusted technology

Important Notice: This data sheet and its contents (the "Information") belong to Rapid Electronics Limited or are licensed to it. No licence is granted for the use of it other than for information purposes in connection with the products to which it relates. No licence of any intellectual property rights is granted. The Information is subject to change without notice and replaces all data sheets previously supplied. The Information supplied is believed to be accurate but Rapid Electronics Limited assumes no responsibility for its accuracy or completeness, any error in or omission from it or for any use made of it. Users of this data sheet should check for themselves the Information and the suitability of the products for their purpose and not make any assumptions based on information included or omitted. Liability for loss or damage resulting from any reliance on the Information or use of it (including liability resulting from negligence or where Rapid Electronics Limited were aware of the possibility of such loss or damage arising) is excluded. This will not operate to limit or restrict Rapid Electronics Limited's liability for death or personal injury resulting from its negligence.