



Steel Bow-Type Handles

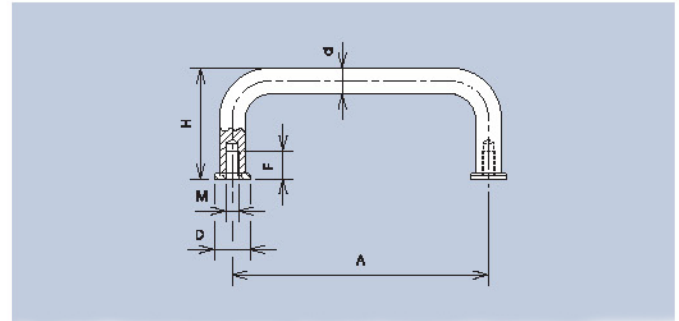
Technical Data

Material Steel chromium plated

Carrying capacity M3 = 300N / M4 = 400N / M5 = 1000N

Bow-type handles with chrome-plated mounting washers. These ensure a flush seating of the handle, even in the case of large mounting holes. The handles are suitable for pulling, pushing and lifting actions in appliance and apparatus engineering.

chromium plated						
A	Ød	ØD	F	H	M	Art.-Nr.
30	6	10	8	19	3	270.8
35	6	10	8	19	3	270.9
45	6	10	8	30	3	270.10
55	7	11	11	30	4	270.1
88	8	12	11	33	4	270.2
88	10	14	11	43	5	3270.1203
100	10	14	11	43	5	270.6
120	10	14	11	43	5	270.3
180	10	14	11	43	5	270.4
200	10	14	11	43	5	270.7
235	10	14	11	43	5	270.5
powder coated black						
A	Ød	ØD	F	H	M	Art.-Nr.
55	7	11	11	30	4	3270.0553
88	8	12	11	33	4	3270.0883
100	10	14	11	43	5	3270.1003
120	10	14	11	43	5	3270.1213
180	10	14	11	43	5	3270.1803
200	10	14	11	43	5	3270.2003
235	10	14	11	43	5	3270.2353



Including cover washers, cheese head screws - M3 x 8 / M4 x 12 / M5 x 12 and washers.