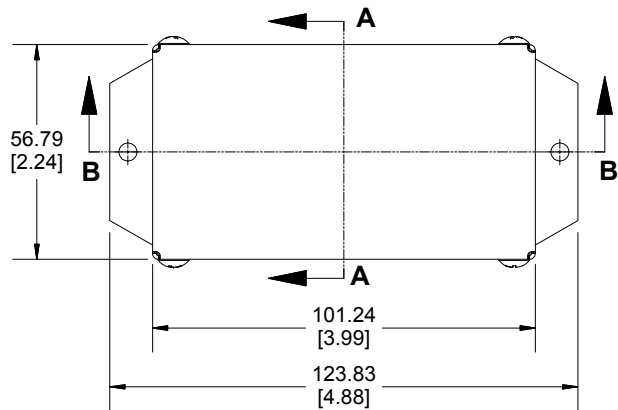
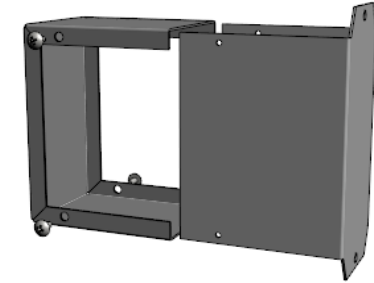
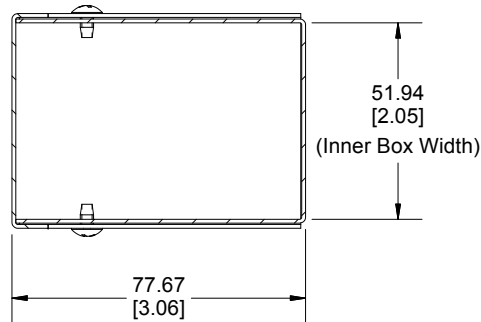


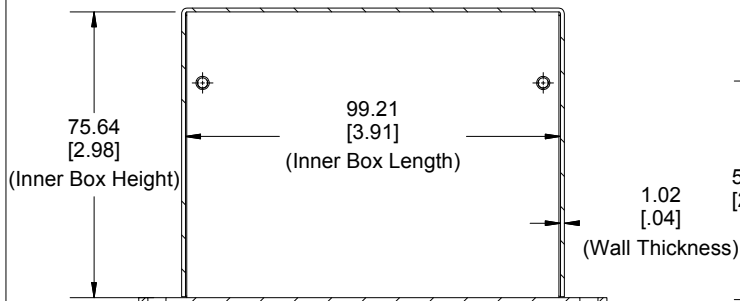
**Top View of Assembly**



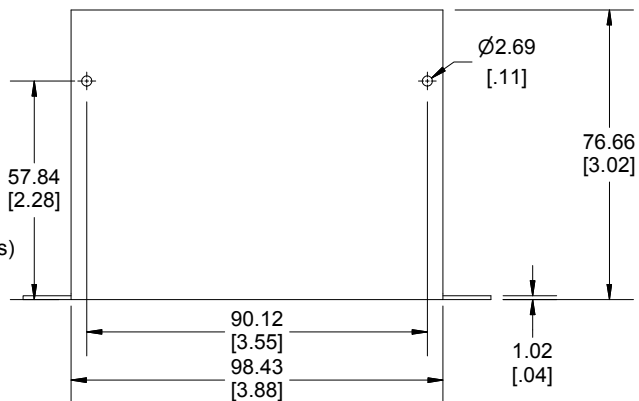
**SECTION A-A  
End View of Assembly**



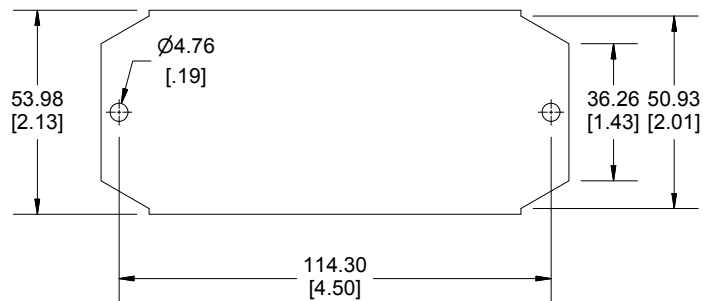
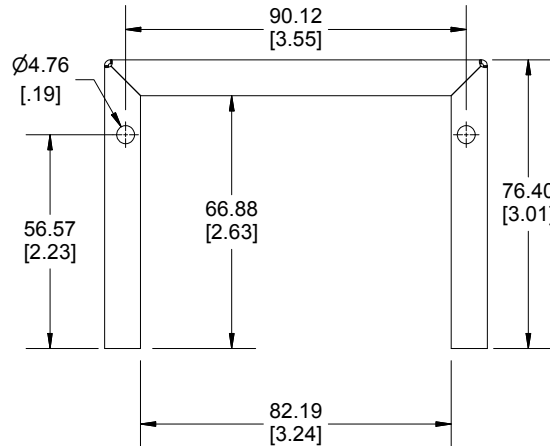
**SECTION B-B  
Side View of Assembly**



**Side View of Flanged Bottom**



**Side View of Cover**



Enclosures can be Factory Modified ( Milling, Drilling, Printing etc.)  
Contact Factory [mjm@hammondmfg.com](mailto:mjm@hammondmfg.com) for quotes  
Solid models of this enclosure available in STEP or IGES.

**NOTE**

Purchased assembly includes flanged bottom, cover and 4 cover screws.  
Bottom and cover are made from 0.04" Aluminum Panels.

**PART NUMBERS**

<b>1411FBF Enclosure</b>	
Natural Finish Enclosure	1411FBFU
Black Enclosure	1411FBFBK
<b>ACCESSORIES</b>	
Plated Cover Screws (Pkg 6) [6-32 x 1/4" Self-Tapping Screws]	1421J6
Black Cover Screws (Pkg 6) [6-32 x 1/4" Self-Tapping Screws]	1421J6BK

**HAMMOND  
MANUFACTURING™**  
**1411FBF**  
www.hammondmfg.com

**Dimensions:**  
mm  
[inches]