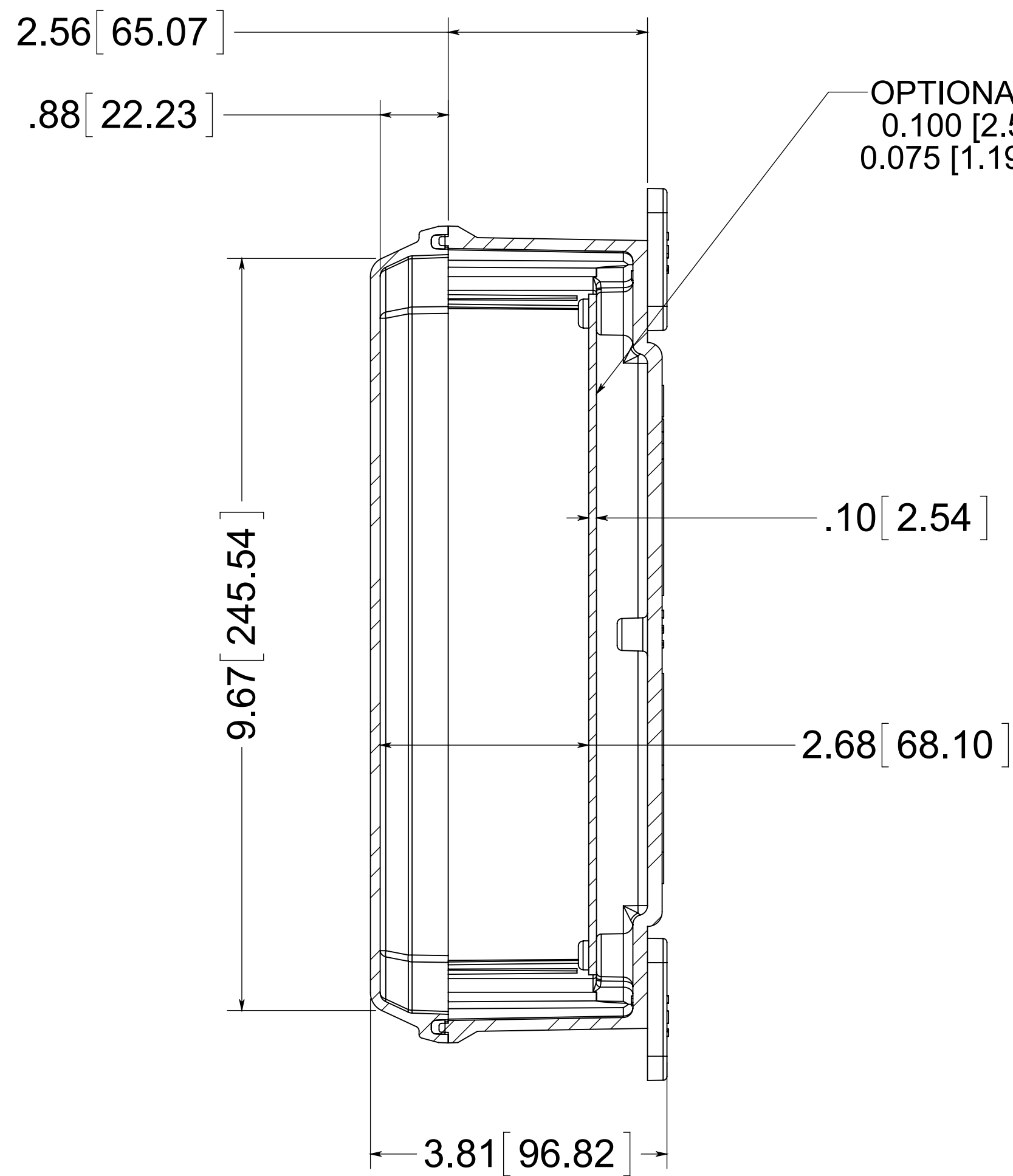
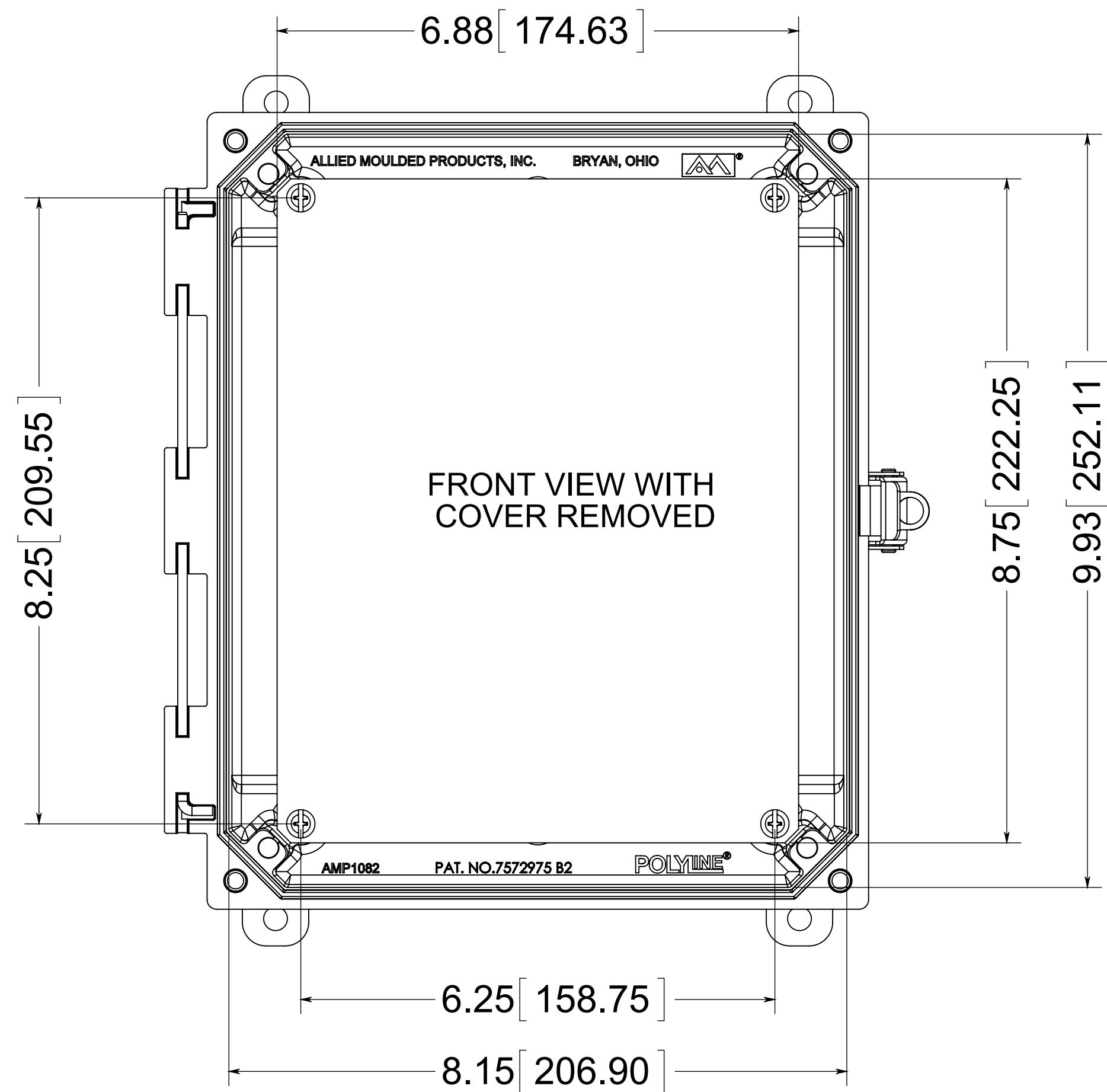
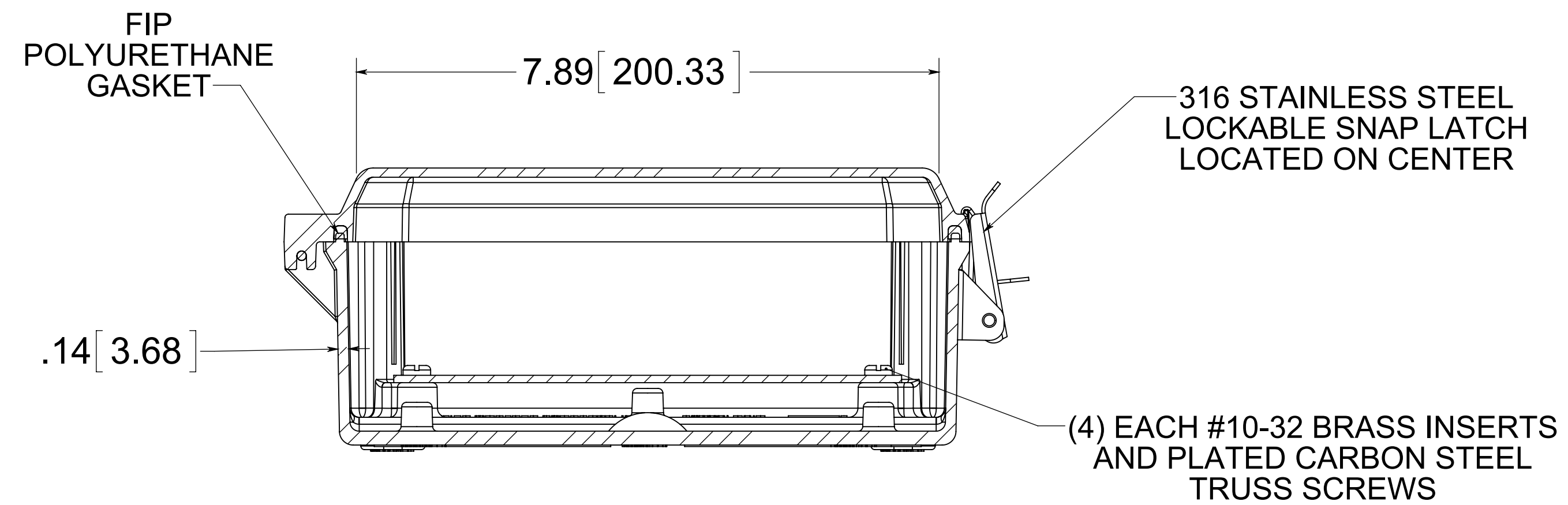
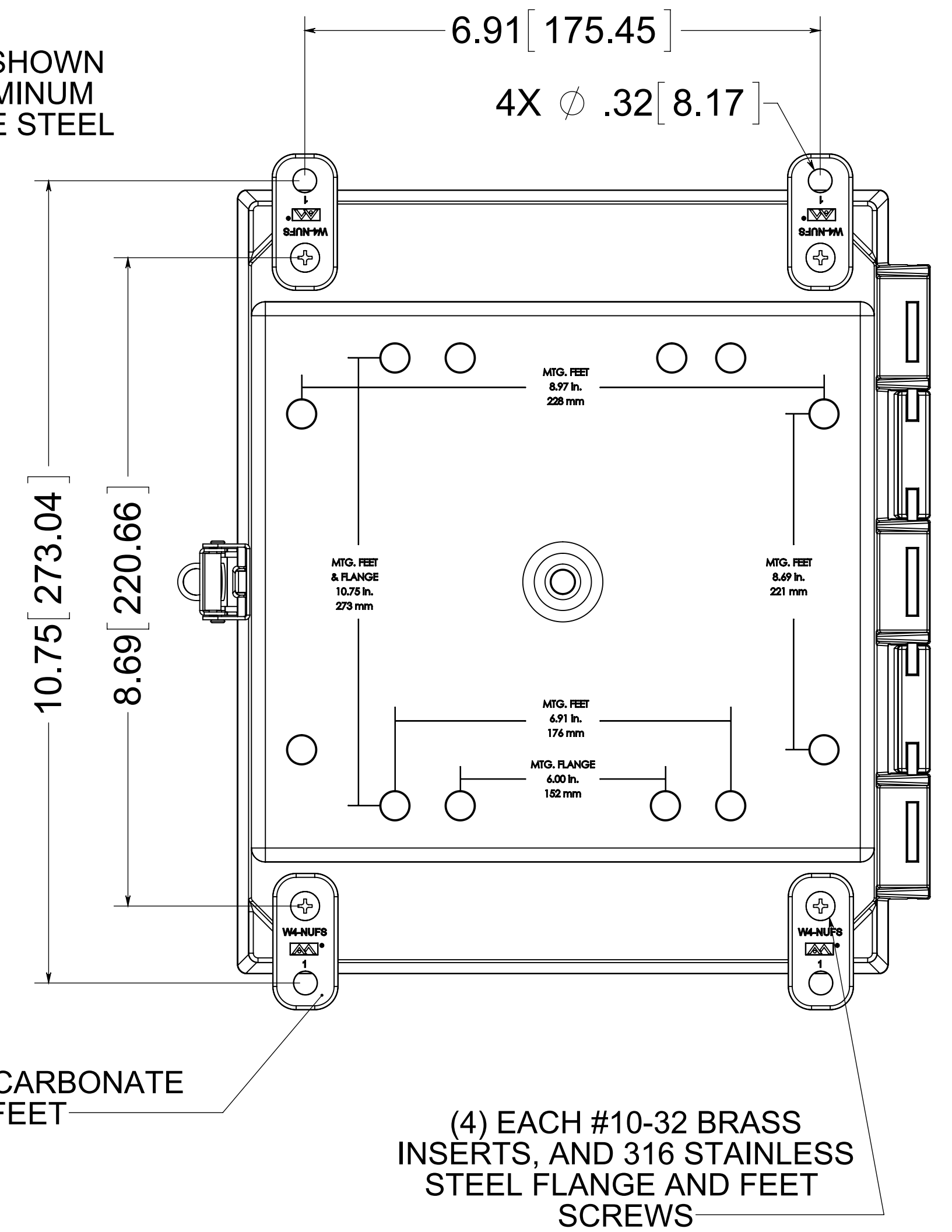


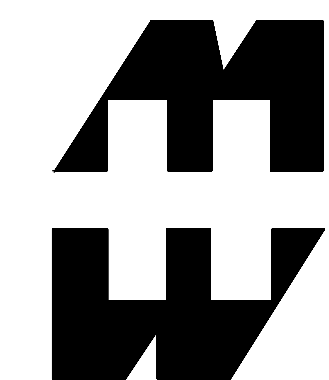
316 STAINLESS STEEL HINGE PIN



(4) POLYCARBONATE FEET



MATERIAL:
 BOX - INJECTED POLYCARBONATE
 STANDARD COVER - INJECTED POLYCARBONATE
 CLEAR COVER - INJECTED POLYCARBONATE



PART No. PCJ1082L

for more information visit
www.hammfg.com
 Data subject to change without notice

Drawing Not to Scale