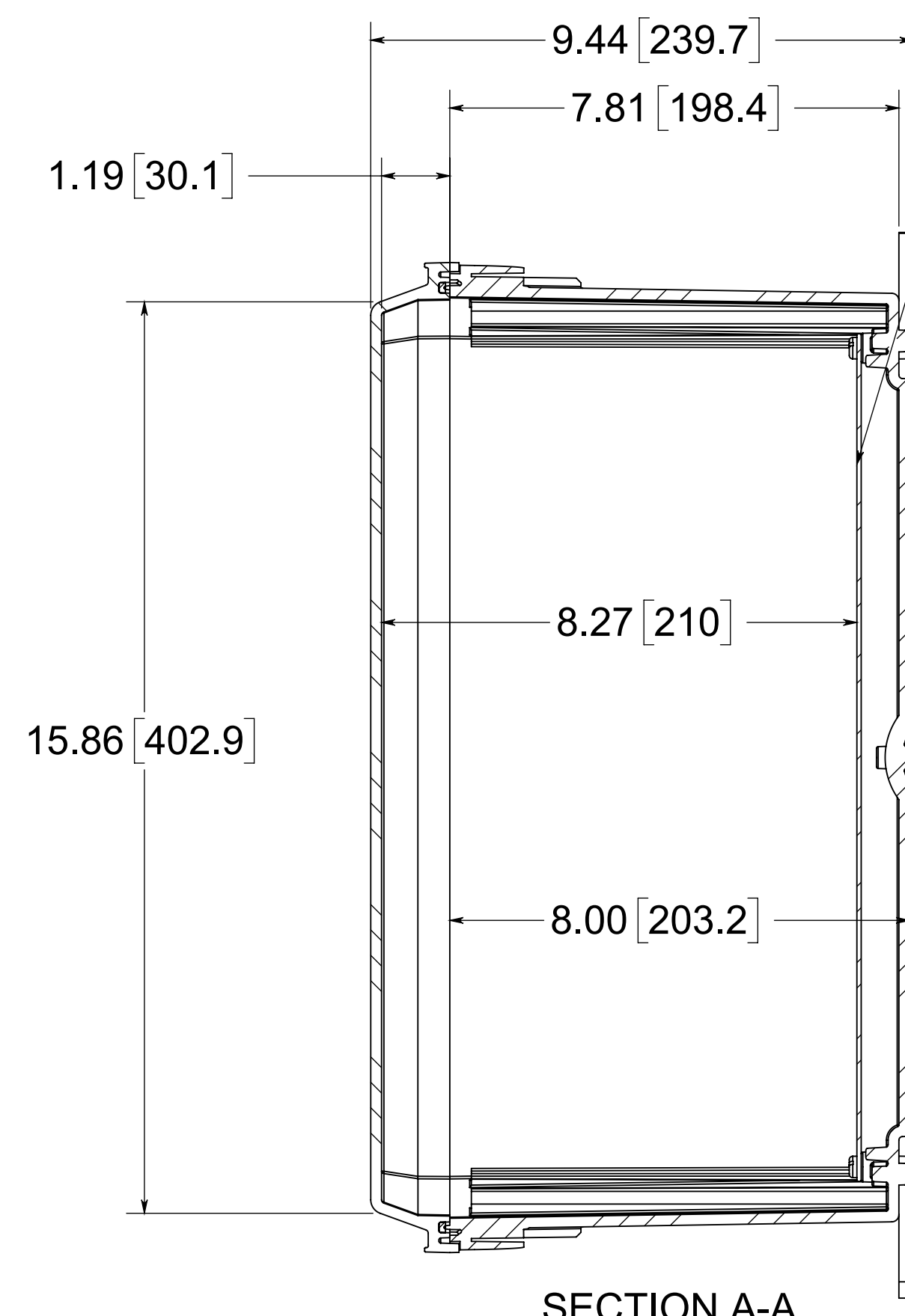
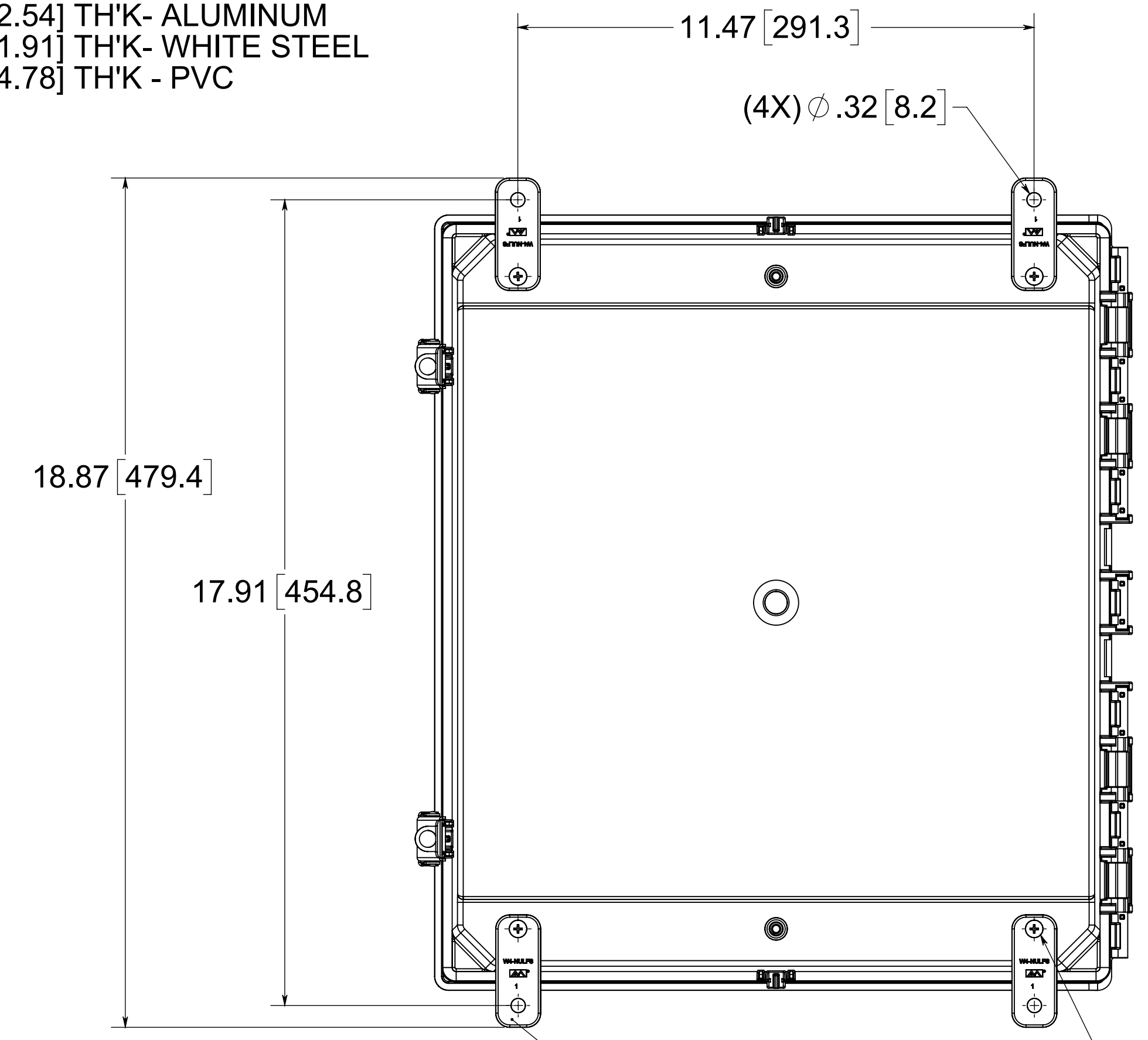


(4X) SNAP-IN POLYCARBONATE HINGE KNUCKLE



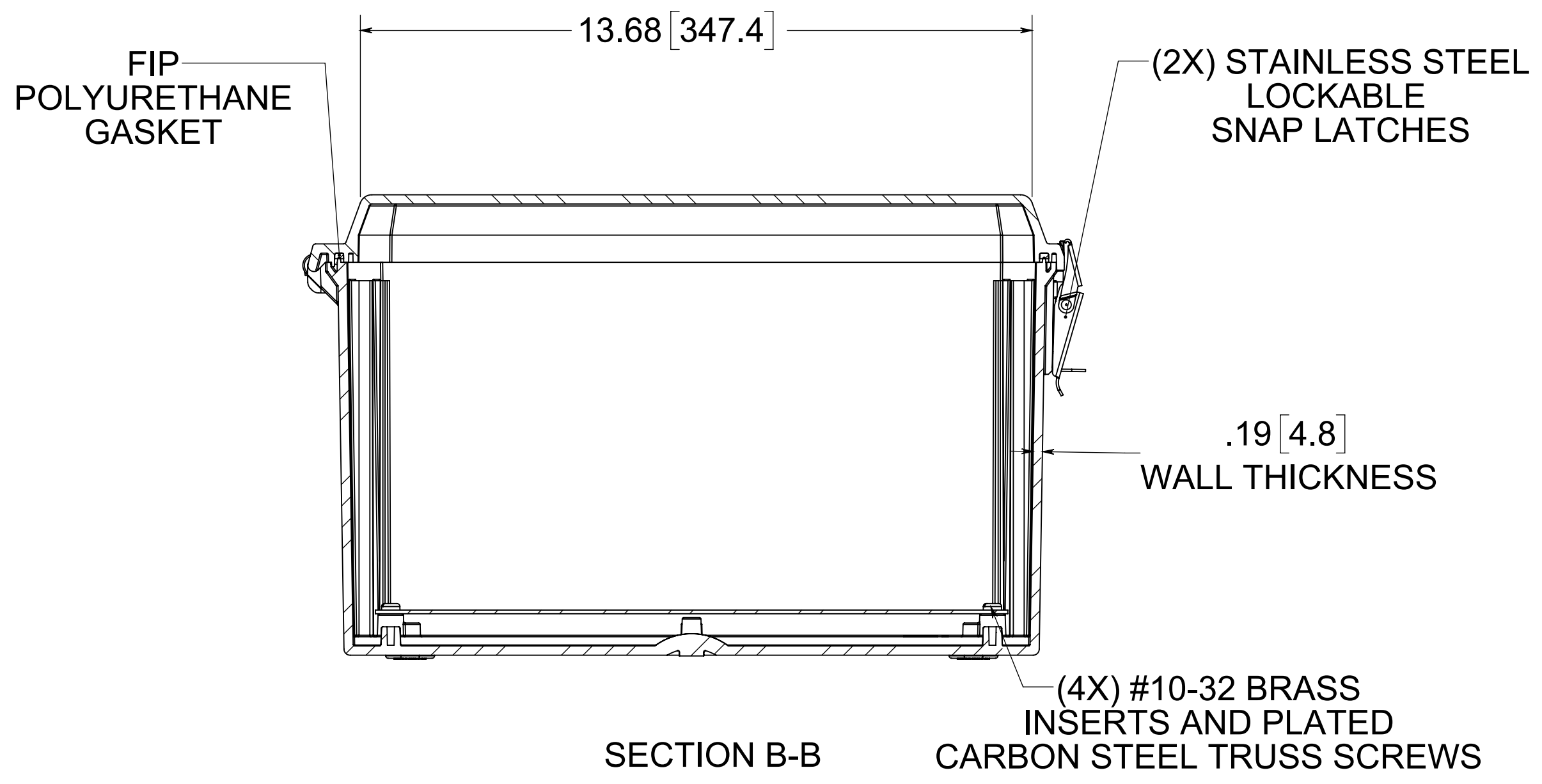
SECTION A-A

OPTIONAL BACK PANEL
0.100 [2.54] TH'K- ALUMINUM
0.075 [1.91] TH'K- WHITE STEEL
0.188 [4.78] TH'K - PVC

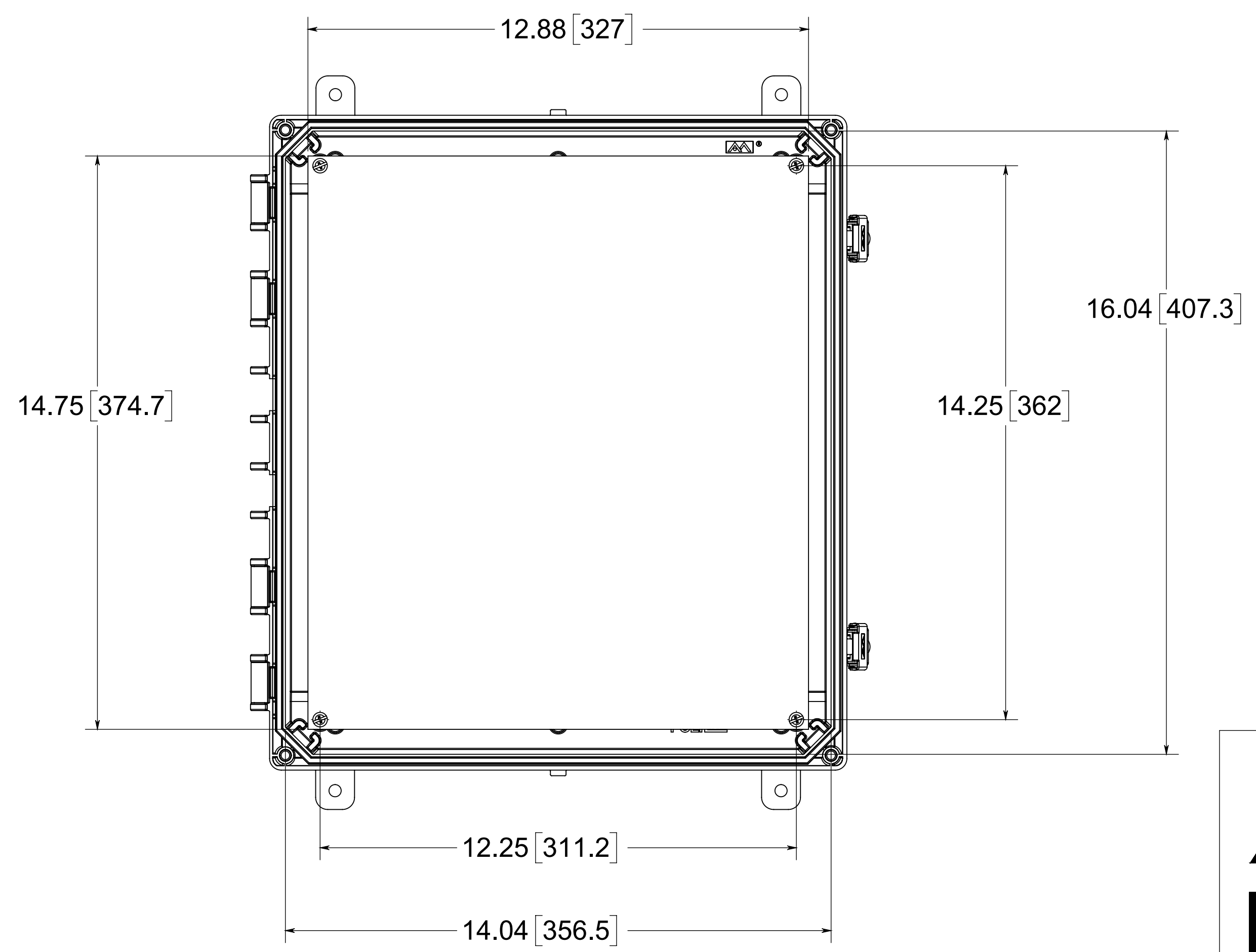


(4X) POLYCARBONATE FEET

(4X) #10-32 BRASS INSERTS, 316 STAINLESS STEEL FLANGE AND FEETSCREWS

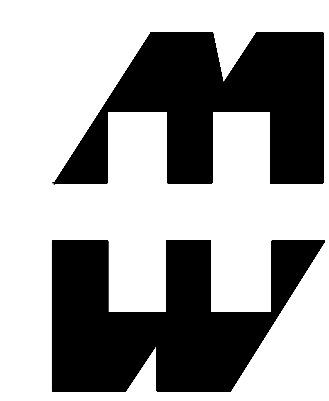


SECTION B-B



NOTE:
1. DATA SUBJECT TO CHANGE

MATERIAL:
BOX- INJECTED POLYCARBONATE
STANDARD COVER - INJECTED POLYCARBONATE
CLEAR COVER - INJECTED POLYCARBONATE



PART No. PCJ16148L

for more information visit
www.hammfg.com
Data subject to change without notice
Drawing Not to Scale