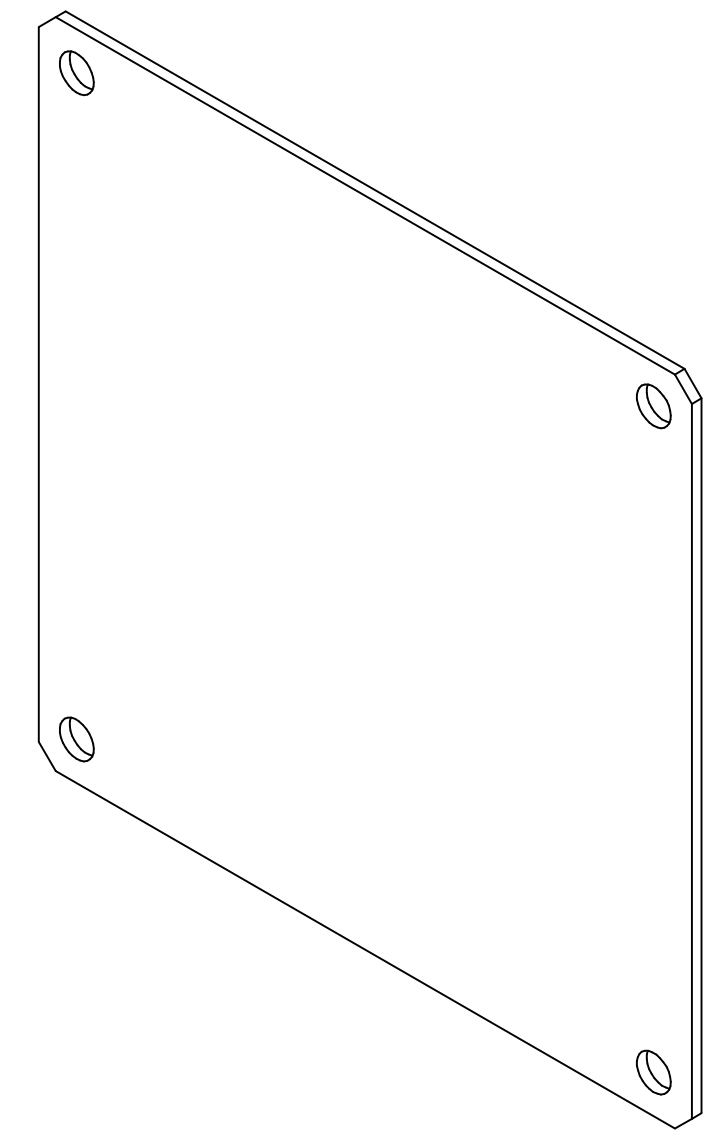


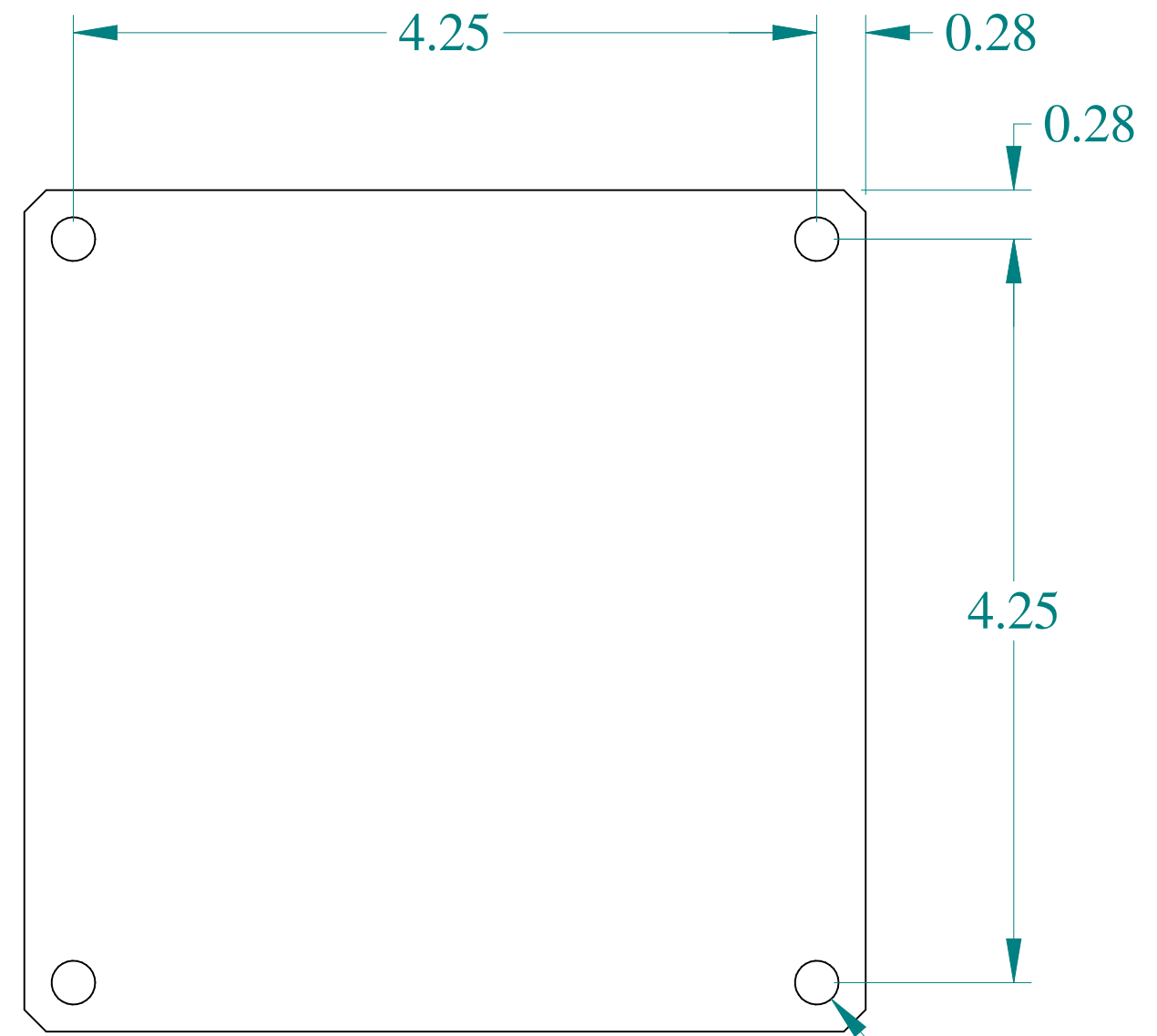
TOP VIEW



ISOMETRIC VIEW



SIDE VIEW



FRONT VIEW

Ø 0.25  
TYP (4)



Data subject to change without notice.

Part # : PCJR0505      Date : Feb 12, 2020

[Link:www.hamfmg.com/PCJR0505](http://www.hamfmg.com/PCJR0505)