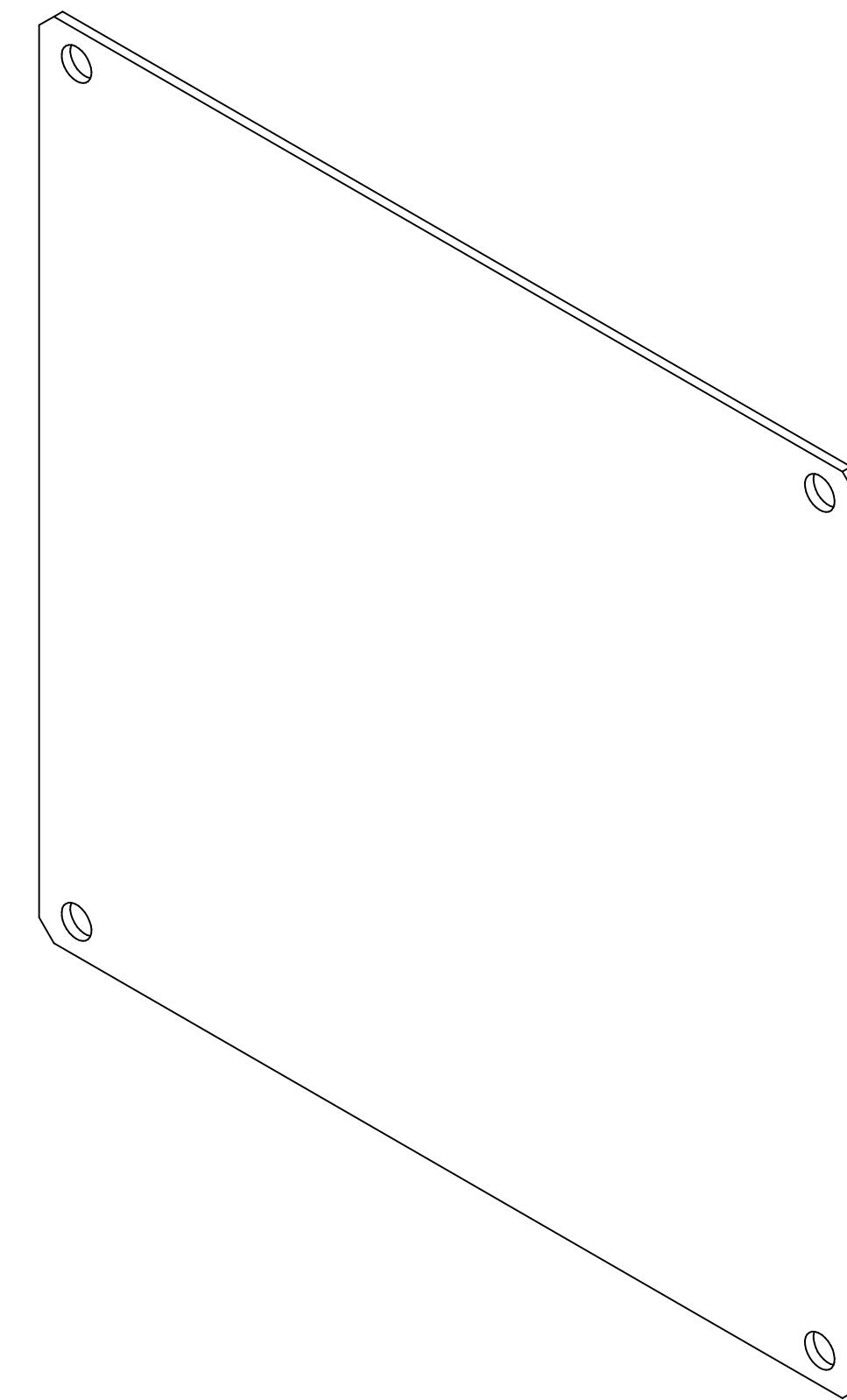
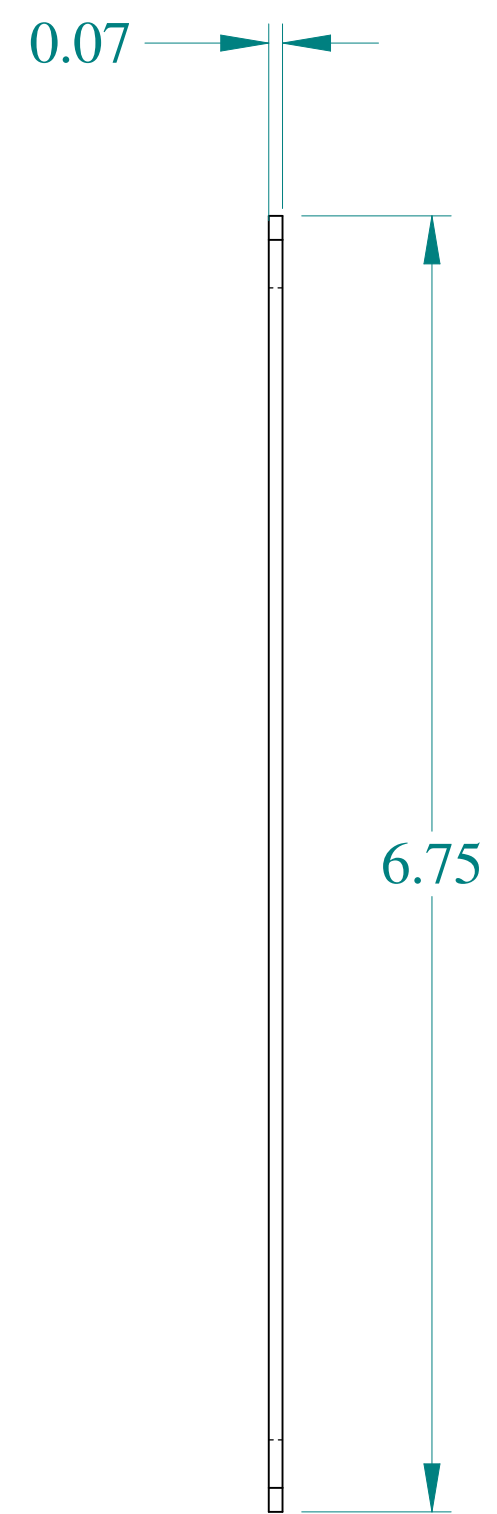


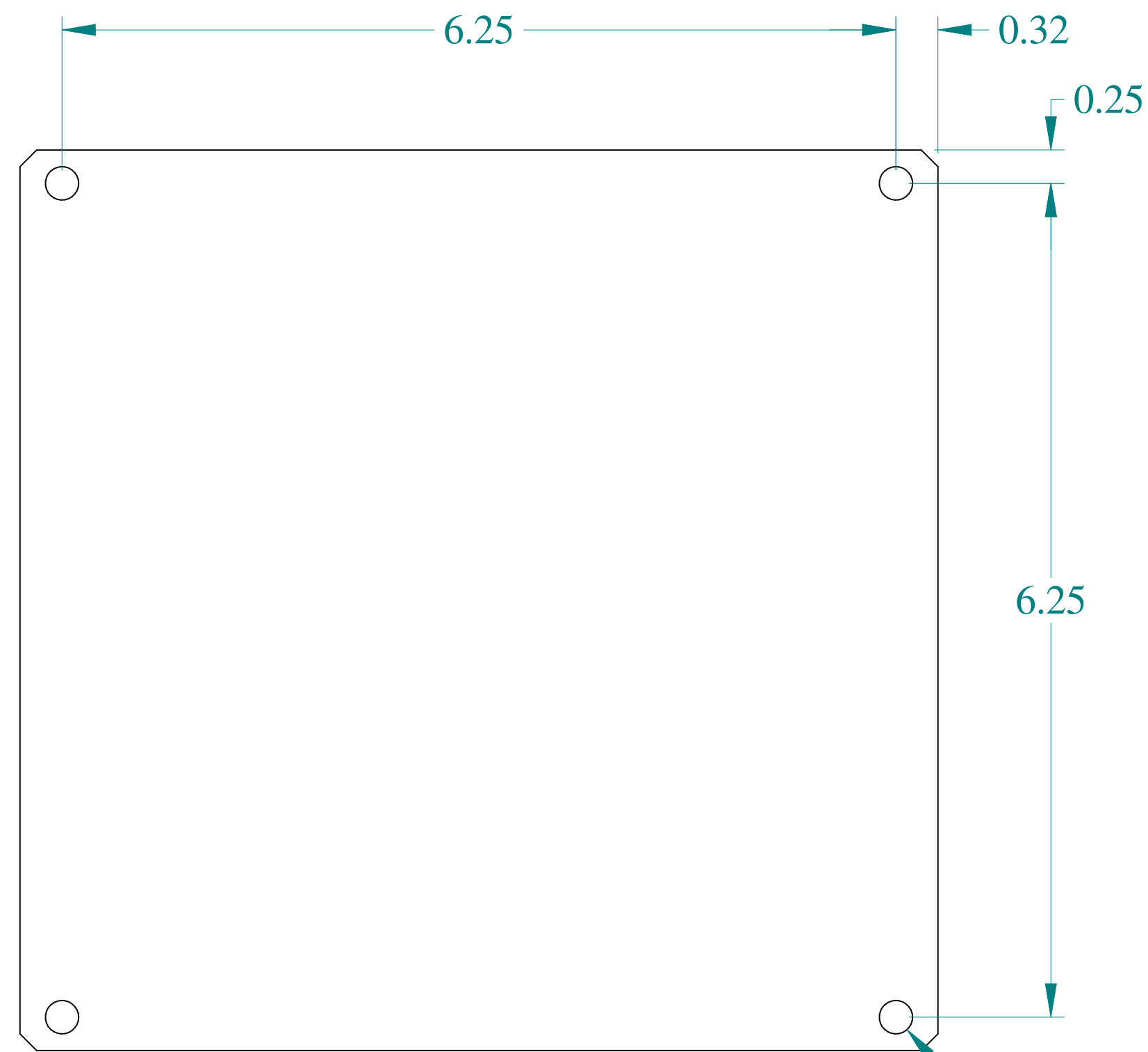
TOP VIEW



ISOMETRIC VIEW



SIDE VIEW



FRONT VIEW

Ø 0.25  
TYP (4)

**HAMMOND  
MANUFACTURING®**

www.hammondmfg.com

Data subject to change without notice.

Part # : PCJR0808

Date : Feb 12, 2020

[Link:www.hamfmg.com/PCJR0808](http://www.hamfmg.com/PCJR0808)