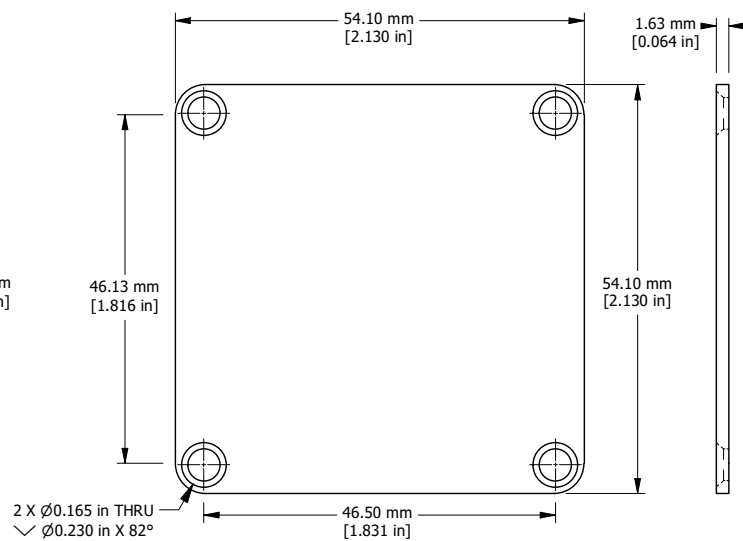
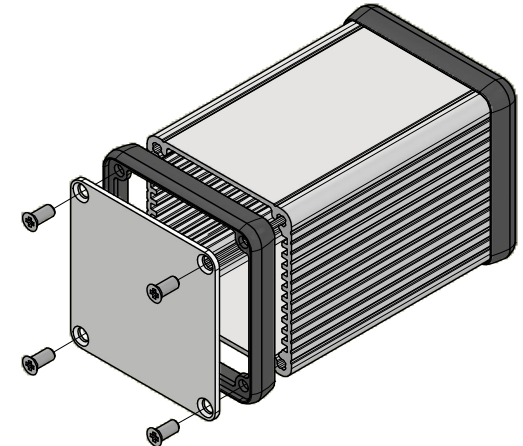


EXTRUSION

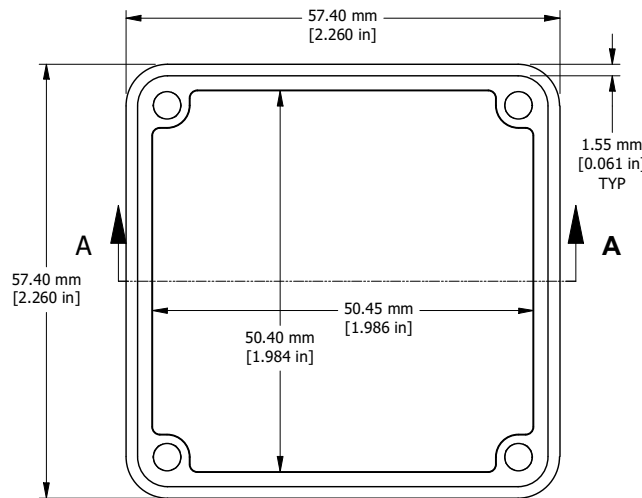
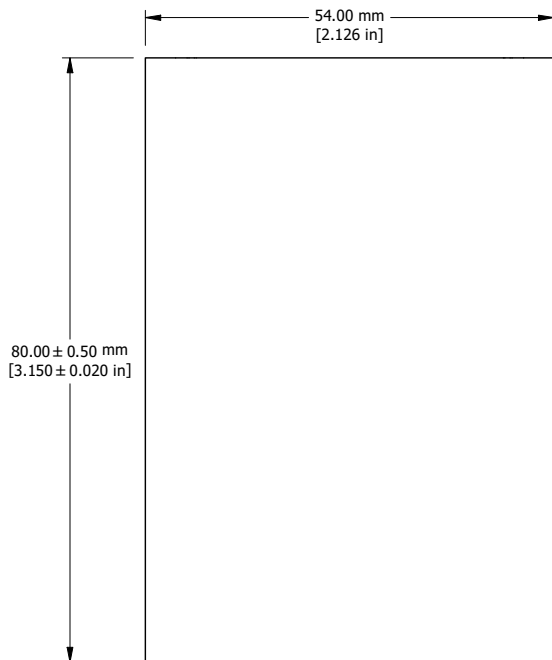


END PLATE

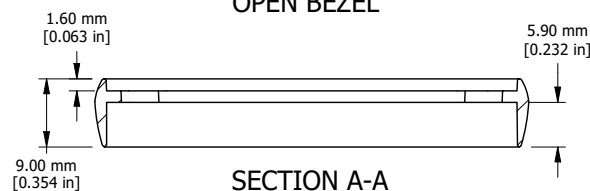


ISOMETRIC VIEW

****EXTRUSION DESIGN FOR 50MM WIDE PC BOARD****



OPEN BEZEL



SECTION A-A

Enclosures can be Factory Modified (Milling, Drilling, Printing etc.)
Solid models of this enclosure available in STEP or IGES.
Contact Factory mjm@hammondmg.com

NOTE

Purchased assembly includes box, plastic bezels, end panels, #6 Taptight screws and self adhesive rubber feet.

Box made from Extruded Aluminum 6063.

Bezels made with ABS

1455CS801

PART NUMBERS

Clear Anodized	1455CS801
Black Anodized	1455CS801BK

ACCESSORIES

See website for accessories.



**HAMMOND
MANUFACTURING™**

1455CS801

www.hammondmg.com