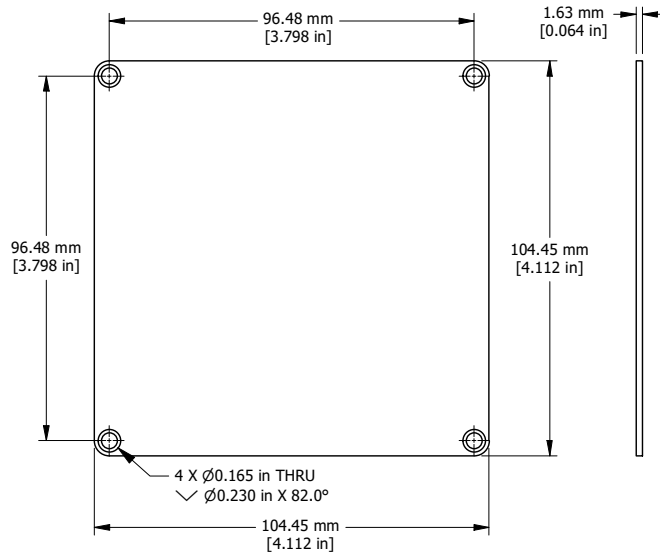
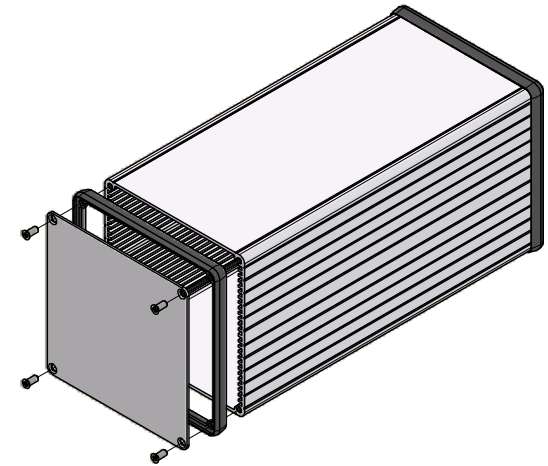


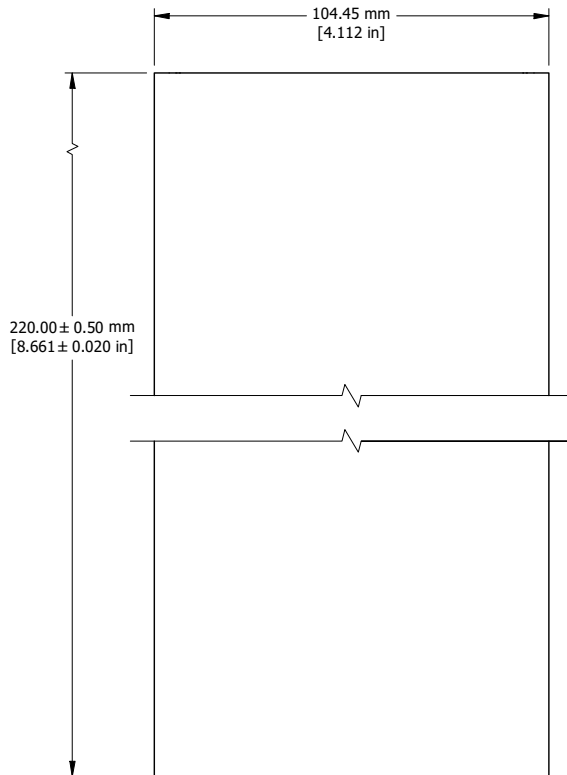
**EXTRUSION**



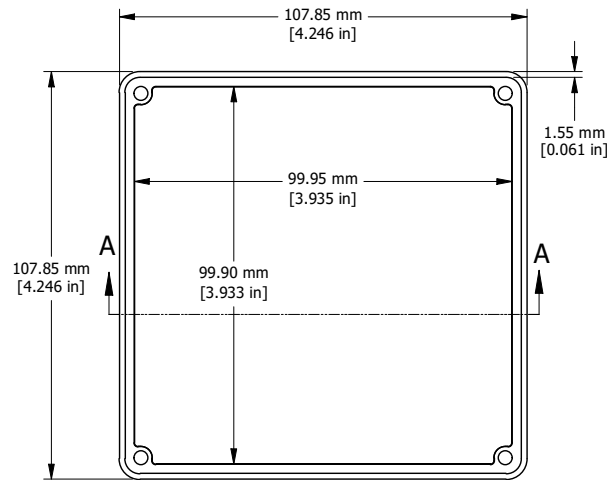
**END PLATE**



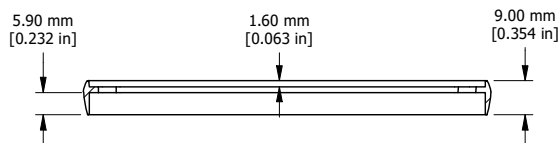
**ISOMETRIC VIEW**



**EXTRUSION DESIGNED FOR 100MM WIDE PC BOARD**



**OPEN BEZEL**



**SECTION A-A**

Enclosures can be Factory Modified ( Milling, Drilling, Printing etc. )  
 Solid models of this enclosure available in STEP or IGES.  
 Contact Factory [mjm@hammondmg.com](mailto:mjm@hammondmg.com)

NOTE	
Purchased assembly includes box, plastic bezels, end panels, #6 Taptight screws and self adhesive rubber feet.	
Box made from Extruded Aluminum 6063.	
Bezels made with ABS.	

1455NS2201	
PART NUMBERS	
Clear Anodized	1455NS2201
Black Anodized	1455NS2201BK
ACCESSORIES	
See website for accessories.	

**HAMMOND MANUFACTURING™**  
**1455NS2201**  
[www.hammondmg.com](http://www.hammondmg.com)