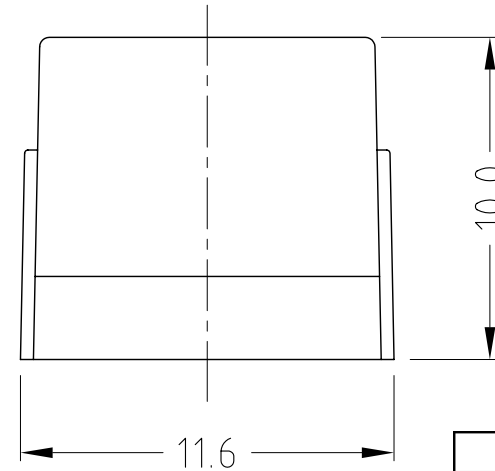
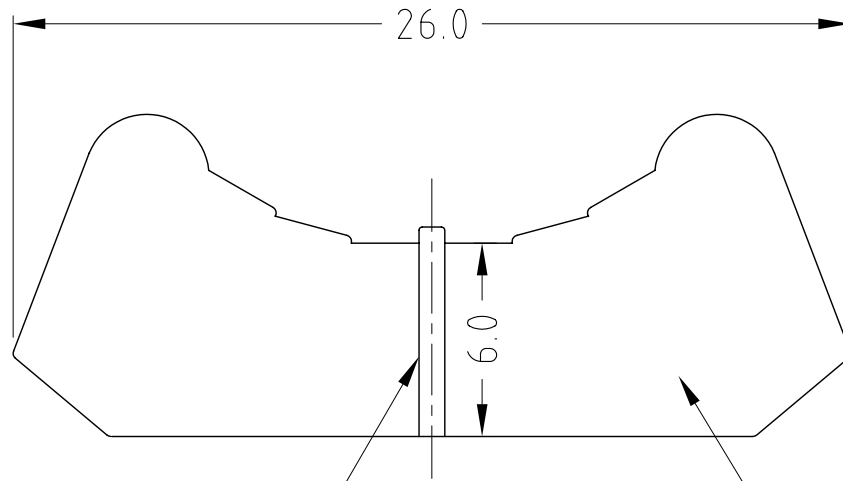


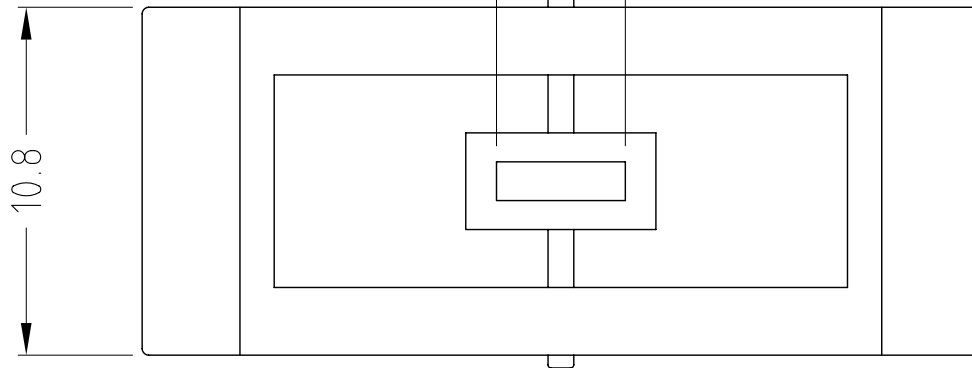
ISS.	AMEND	DATE
1	ISSUED	04/05/12



SEE TABLE

BLACK

SHAFT
4.00x1.20



VARIANTS	
PART No.	MARKER LINE
FC72621	WHITE
FC72622	RED
FC72623	BLUE
FC72624	GREEN
FC72625	YELLOW
FC72626	GREY



RoHS
COMPLIANT

TOLERANCE
 NO DEC. PLACE ± 0.50
 1 DEC. PLACE ± 0.20
 2 DEC. PLACE ± 0.10
 HOLE $\varnothing \pm 0.10$
 ANGLES $\pm 1/2^\circ$
 UNLESS OTHERWISE STATED

DO NOT SCALE

Cliff Electronic Components Ltd.

76 Holmethorpe Avenue, Holmethorpe Industrial Estate,
 Redhill, Surrey, RH1 2PF, England, UK
 Tel: 01737-771375 Fax: 01737-766012 Website: www.cliffuk.co.uk

DIMENSIONS IN MILLIMETERS UNLESS OTHERWISE STATED. WORK TO DIMENSIONS. REMOVE ALL BURRS. IF IN DOUBT ASK.

3rd ANGLE PROJECTION:

MATERIAL: TPR / PP

TITLE: SLIDER KNOB - CS10R

FINISH: CLEAN - BLACK. MARKER LINE SEE TABLE

DRAWN: T.J.O.

APPROVED: D.P.J.

DRWG. No. **FC72621**

FORM: A4DRWGH