

## PCB Connectors

Order code	Manufacturer code	Description
33-4070	n/a	VERTICAL PCB SCREW TERMINAL (PK10)
33-4075	n/a	HORIZONTAL PCB SCREW TERMINAL (PK10)
33-4080	n/a	LOW PROFILE PCB SCREW TERMINAL

PCB Connectors	Page 1 of 3
The enclosed information is believed to be correct, Information may change 'without notice' due to product improvement. Users should ensure that the product is suitable for their use. E. & O. E.	Revision A 04/07/2003

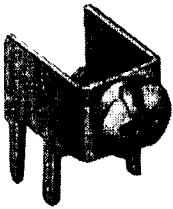
## PCB Mount Screw Terminal Connectors

### Keystone

PCB mounting screw terminals in horizontal, vertical and low profile styles. The terminals will accept solid or stranded wire, crimp type terminals or lugs, etc. Manufactured in tin plated brass, with 6-32 combination drive binding head screws.

#### Principle Features

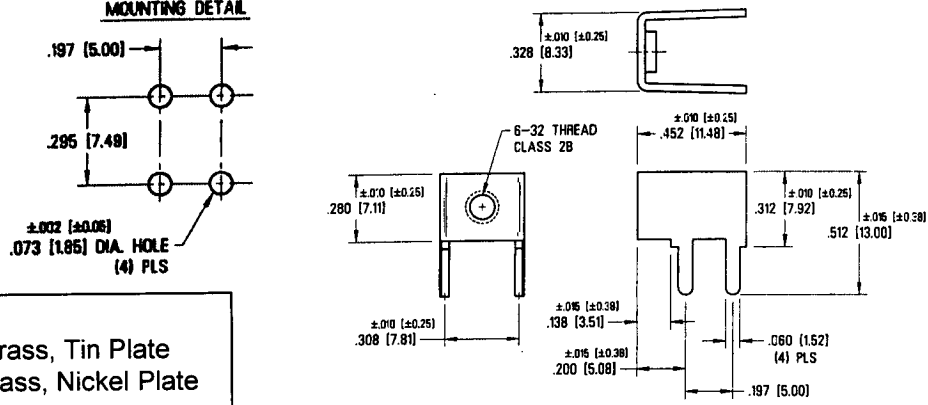
- Low profile
- Stable, no-rock design with exclusive anti-rotational feature
- Easily mounts with four legs into pre-drilled or punched holes
- Accepts 14-22 AWG solid or stranded wire, crimp-type terminals or lugs
- Ideally suited for high-density packaging
- Available in horizontal or vertical mounting
- Space-saving and time saving
- Easy accessibility for PCB board testing
- Binding screw is positioned above board level to avoid wicking during wave soldering
- Supplied with a combination drive 6-32 binding head screw



8190


Rated: 15 Amps  
Terminal: 0.032 Thick Brass, Tin Plate  
Binding Head Screw: Brass, Nickel Plate

MOUNTING DETAIL



$\pm 0.02$  [ $\pm 0.06$ ]  
 $.073$  [1.85] DIA. HOLE  
 (4) PLS

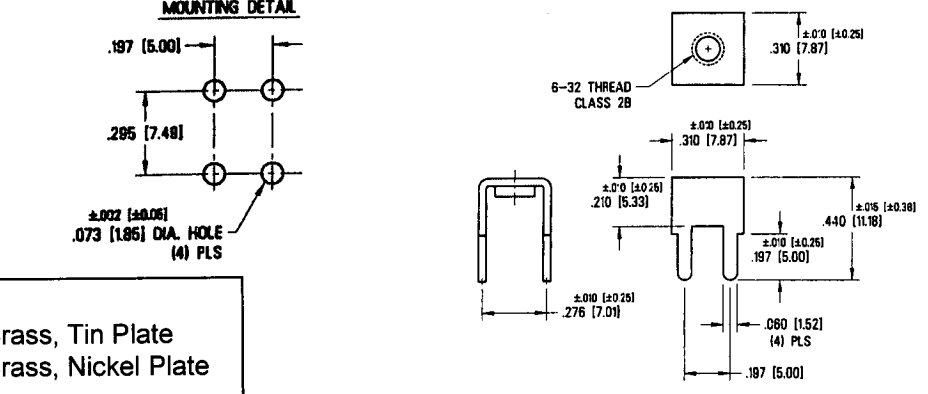
6-32 THREAD  
 CLASS 2B



8191

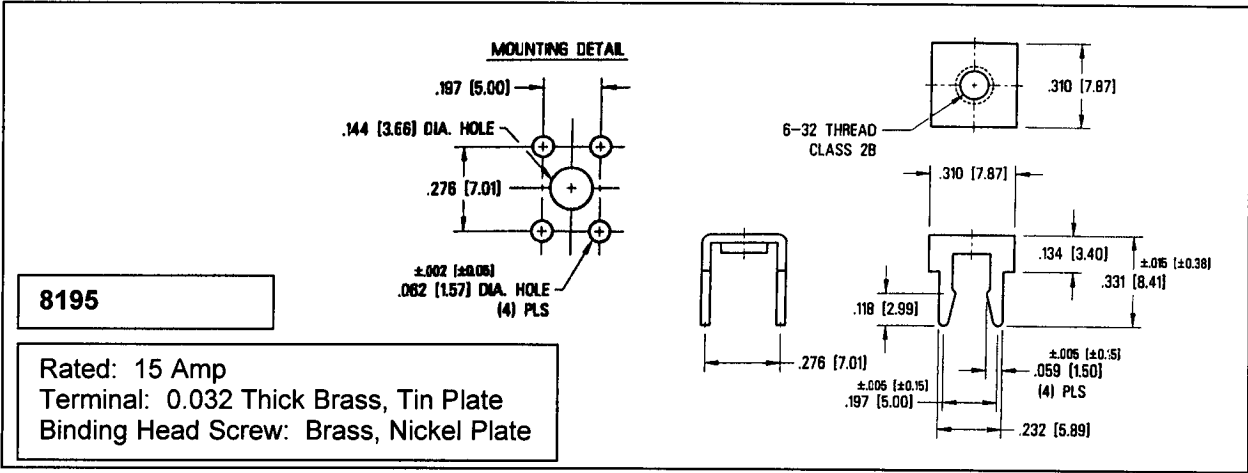
Rated: 15 Amps  
Terminal: 0.032 Thick Brass, Tin Plate  
Binding Head Screw: Brass, Nickel Plate

MOUNTING DETAIL



$\pm 0.02$  [ $\pm 0.06$ ]  
 $.073$  [1.85] DIA. HOLE  
 (4) PLS

6-32 THREAD  
 CLASS 2B



Keystone Code	Description
8191	Vertical PCB Mount Screw Terminal
8190	Horizontal PCB Mount Screw Terminal
8195	Low Profile Horizontal PCB Mount Screw Terminal