

Hexagon Full Nut to DIN Stainless Steel



DESCRIPTION

A range of Stainless Steel Hexagonal Nuts with good corrosion resistance and excellent mechanical strength.

Suitable for general and outdoor use. Their anti-corrosive properties make them ideal for use outdoors or in damp conditions.

DISTINCTIVE FEATURES

- Hexagonal
- Stainless Steel, Grade A2
- Self-coloured Finish
- Corrosion Resistant
- Non-magnetic
- M2.5, M3, M3.5 and M4 options
- Supplied in packs of 100

APPLICATIONS

Suitable for general use. These Hexagon shaped nuts can be used with a large variety of machine-thread fasteners, including machine screws, bolts, studs, anchors and threaded rods

Applications include use in electronic and domestic equipment, general repair and maintenance, circuit board mounting, prototyping, etc. Suitable for outdoor use and where improved corrosion resistance is required.

Suitable for use in food, medical and non-severe chemical environments, and in both low and high temperature applications.

Note: Not suitable for use with non-oxidising acids and agents or in chloride rich environments.





GENERAL SPECIFICATION

Series	Hexagon Full Nut to DIN
Type	General Hexagonal Nut



MATERIALS

Material	A2 Stainless Steel
Finish	Self Colour



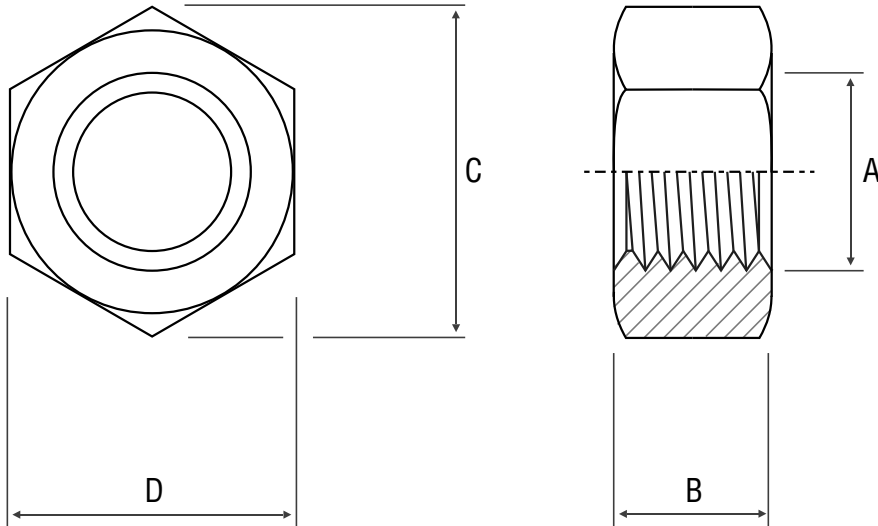
CERTIFICATION AND STANDARDS

Material Specification	DIN 934 ~ISO 4032
------------------------	-------------------



DIMENSIONS/DRAWINGS

Units	mm - unless stated otherwise
-------	------------------------------



PART NUMBER TABLE

Part number	A	B	C	D	Pack quantity	UNSPSC	EAN	Country of Origin
33-7172	M2.5	2.0	5.4	4.0	100	73181639	5053556010851	China
33-7173	M3	2.4	6.0	5.5		73181639	5053556010868	China
33-7174	M3.5	2.8	6.6	6.0		73181639	5053556010875	China
33-7175	M4	3.2	7.7	7.0		73181639	5053556010882	China

For further information on pricing, delivery, and long-term stock agreements please get in touch with your local business development contact, telephone our main office on **01206 838000** or email **Sales@Rapidonline.com**.



Important Notice: This data sheet and its contents (the "Information") belong to Rapid Electronics Limited or are licensed to it. No licence is granted for the use of it other than for information purposes in connection with the products to which it relates. No licence of any intellectual property rights is granted. The Information is subject to change without notice and replaces all data sheets previously supplied. The Information supplied is believed to be accurate but Rapid Electronics Limited assumes no responsibility for its accuracy or completeness, any error in or omission from it or for any use made of it. Users of this data sheet should check for themselves the Information and the suitability of the products for their purpose and not make any assumptions based on information included or omitted. Liability for loss or damage resulting from any reliance on the Information or use of it (including liability resulting from negligence or where Rapid Electronics Limited were aware of the possibility of such loss or damage arising) is excluded. This will not operate to limit or restrict Rapid Electronics Limited's liability for death or personal injury resulting from its negligence.