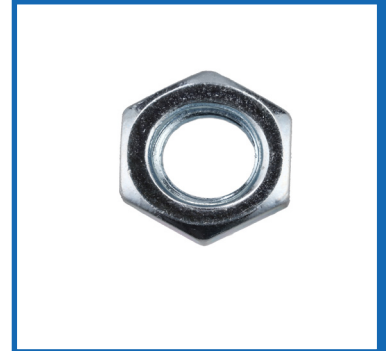


Hexagon Full Nut to DIN



DESCRIPTION

A range of Steel Hexagonal Nuts with excellent mechanical strength and a bright zinc-plated, passivated finish for corrosion resistance.

DISTINCTIVE FEATURES

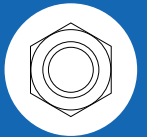
- Grade 8 Steel
- Zinc & Clear Cr3 Finish
- Hexagonal
- M2.5, M3, M4, M5 and M6 options
- Supplied in packs of 100 or 1000

APPLICATIONS

Suitable for general use. These Hexagon shaped nuts can be used with a large variety of machine-thread fasteners, including machine screws, bolts, studs, anchors and threaded rods
Typical applications include use in electronic and domestic equipment, general repair and maintenance, circuit board mounting, prototyping, etc.

Steel

Zinc
& Clear
Cr3





GENERAL SPECIFICATION

Series	Hexagon Full Nut to DIN
Type	Standard



MATERIALS

Material	Grade 8 Steel
Finish	Zinc & Clear Cr3



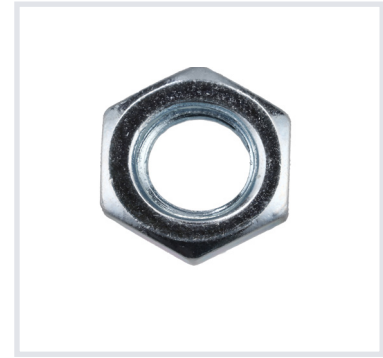
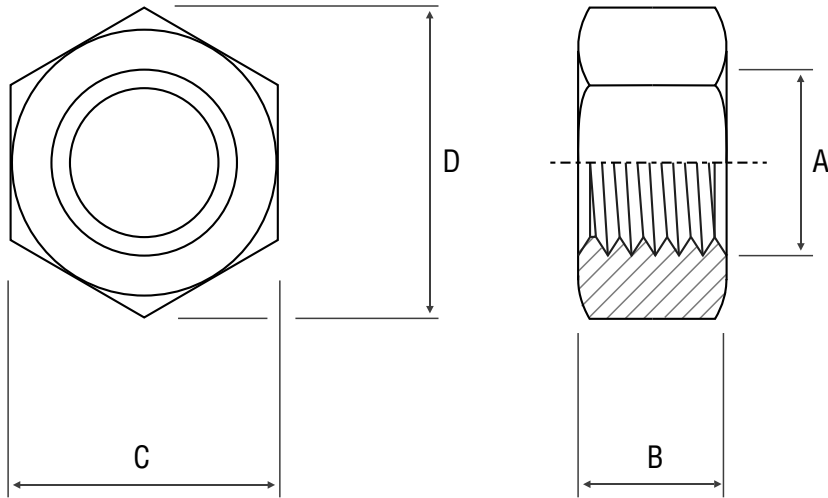
CERTIFICATION AND STANDARDS

Material Specification	DIN 934 ~ISO 4032
------------------------	-------------------



DIMENSIONS/DRAWINGS

Units	mm - unless stated otherwise
-------	------------------------------



PART NUMBER TABLE

Part number	A	B	C	D	Pack quantity	UNSPSC	EAN	Country of Origin
33-7149	M2	1.6	4.0	4.3	100	73181692	5053556010622	China
33-7145	M2.5	2.0	5.0	5.4		73181692	5053556010585	China
33-7146	M3	2.4	5.5	6.0		73181692	5053556010592	China
33-7147	M4	3.2	7.0	7.4		73181692	5053556010608	China
33-7148	M5	4.0	8.0	8.80		73181692	5053556010615	China
33-7219	M6	5.0	10	11		73181692	5053556011322	China
33-7150	M2	1.6	4.0	4.3	1000	73181692	5053556010639	China
33-7151	M2.5	2.0	5.0	5.4		73181692	5053556010646	China
33-7152	M3	2.4	5.5	6.0		73181692	5053556010653	China
33-7153	M4	3.2	7.0	7.4		73181692	5053556010660	China
33-7154	M5	4.0	8.0	8.80		73181692	5053556010677	China

For further information on pricing, delivery, and long-term stock agreements please get in touch with your local business development contact, telephone our main office on **01206 838000** or email **Sales@Rapidonline.com**.

R-TECH[®]

Tried & trusted technology

Important Notice: This data sheet and its contents (the "Information") belong to Rapid Electronics Limited or are licensed to it. No licence is granted for the use of it other than for information purposes in connection with the products to which it relates. No licence of any intellectual property rights is granted. The Information is subject to change without notice and replaces all data sheets previously supplied. The Information supplied is believed to be accurate but Rapid Electronics Limited assumes no responsibility for its accuracy or completeness, any error in or omission from it or for any use made of it. Users of this data sheet should check for themselves the Information and the suitability of the products for their purpose and not make any assumptions based on information included or omitted. Liability for loss or damage resulting from any reliance on the Information or use of it (including liability resulting from negligence or where Rapid Electronics Limited were aware of the possibility of such loss or damage arising) is excluded. This will not operate to limit or restrict Rapid Electronics Limited's liability for death or personal injury resulting from its negligence.